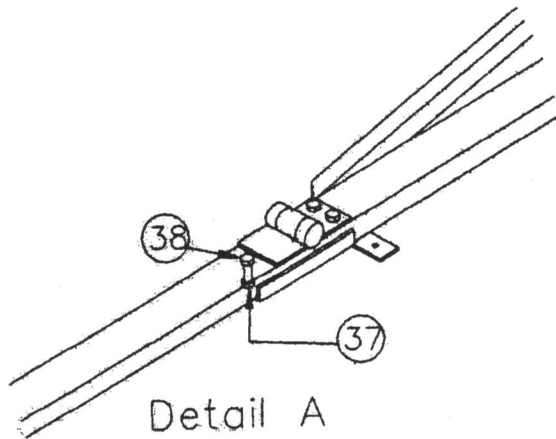


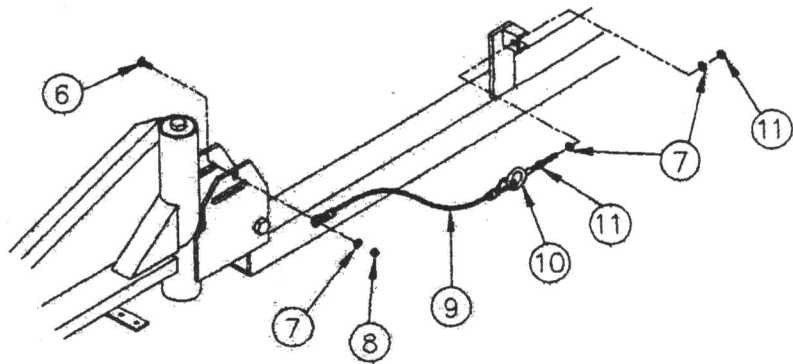
**SDI Optimum Convertible
 Spray Boom**

Rev4/PI265/10/09jj

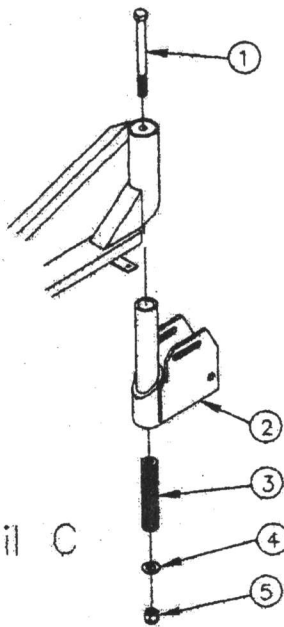


Detail "A"

• **NOTE:** When outer wings are folded out on the Convertible Spray Boom, Items #17 and #38 must be used. Failure to follow these instructions will void warranty.



Detail B



Detail C

**SDI Optimum Convertible
 Spray Boom 4132044**

Rev2/PI265/10/09jj

SDI Optimum Convertible Turf Spray Boom

Item Number	Part Number	Description	Qty
	4132044	Optimum Convertible Turf Spray Boom, 13 Nozzles, 20" Spacing	
1	35-217	Hex Bolt 5/8 x 7"	2
2	11-314	Boom Pivot Assembly	2
3	45-182	Boom Pivot Spring	2
4	42-105	Flatwasher 5/8"	2
5	41-115	Lock Nut 5/8"	2
6	45-565	Carriage Bolt 3/8 x 1" SST	2
7	42-503	Flatwasher 3/8" SST	6
8	41-513	Lock Nut 3/8" SST	2
9	69-301	Swag Cable Assembly	2
10	69-284	Eye Bolt 3/8 x 5"	2
11	41-503	Hex Nut 3/8" SST	4
12	11-768	Boom Mount to Truck	2
13	11-781	Boom Fork	2
14	11-761	Upright Assembly Cross Member	1
15	11-796G	Right Outer Wing Section	1
16	11-794	Right Inner Wing Section	1
17	53-093	Adapter 1/2 MPT x 3/4" HB	2
18	60-223	Ball Valve Butterfly Handle 1/2"	2
19	53-092	Elbow Adapter 1/2 FPT x 3/4" HB	3
20	70-357	Serial Number Decal	1
21	11-792	Center Section	1
22	35-109	Hex Bolt 5/8 x 3-3/4"	2
23	11-793	Left Inner Wing Section	1
24	41-115	Lock Nut 5/8"	2
25	11-795G	Left Outer Wing Section	1
26	64-437	Hose Shank 3/4" HB x Blank	3
27	24-110	Hose Clamp #10	20
28	64-435	Hose Shank 3/4 HB x 3/4" HB	5
29	21-930	Hose 3/4" ID 200 PSI, Per Foot	Specify
30	64-436	Hose Shank 3/4 HB x 1/2" MPT	5
31	64-400	Triple Nozzle Body	13
32	64-403	50 Mesh Strainer, Nylon	13
33	64-404	Rubber Washer	13
34	64-648	Test Tip TP11008VP	13
35	64-406	Black Cap	13
36	11-784	Boom Fork Adjusting Bracket	2
•37	41-512	Lock Nut 5/16" SST	1
•38	31-507	Hex Bolt 5/16 x 1" SST	1
<p>•When outer wings are folded out on the convertible boom, Items #37 and #38 <u>must be used</u>. Failure to do so will void warranty.</p>			

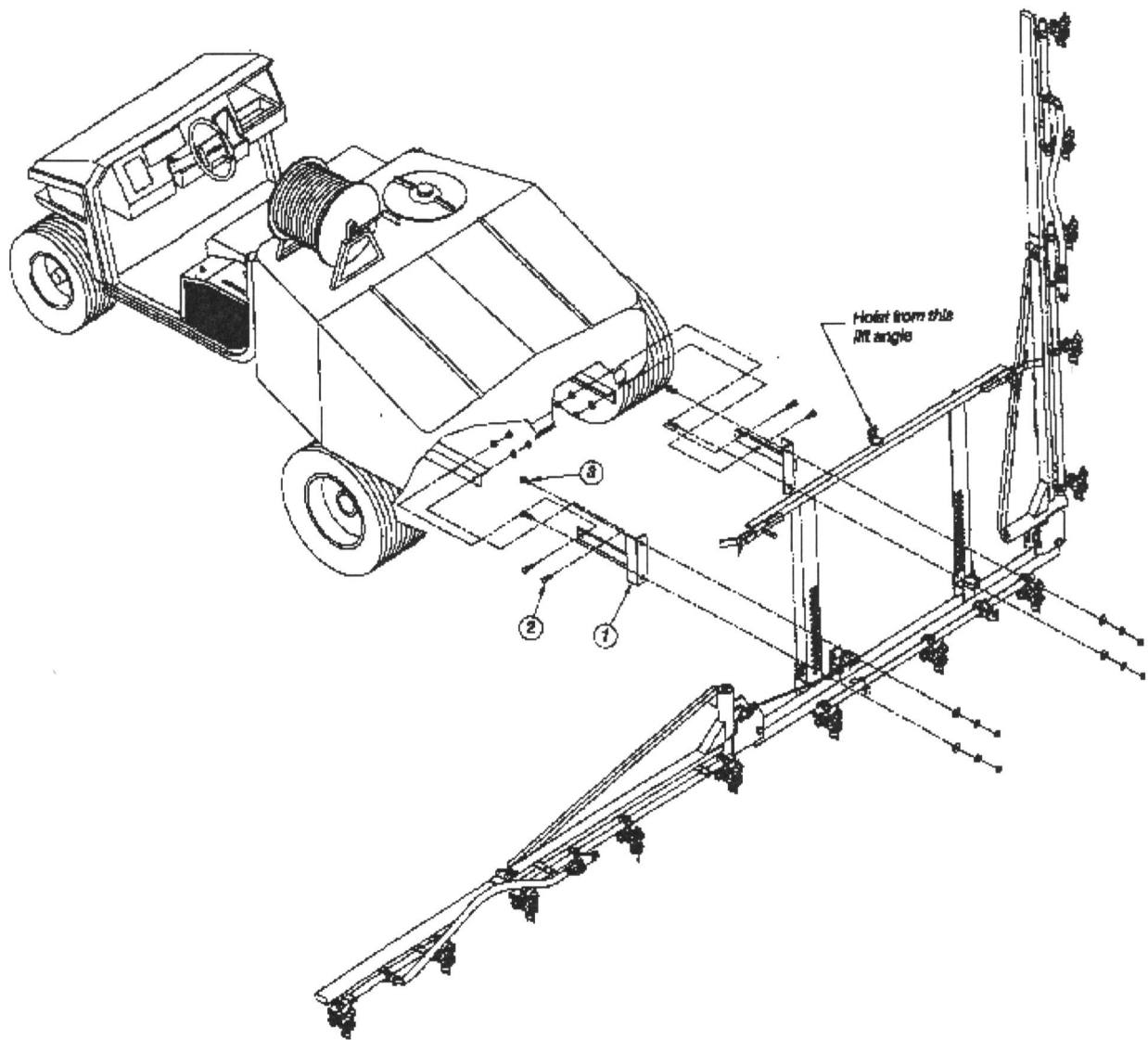
SDI Optimum Convertible Turf Spray Boom

Item Number	Part Number	Description	Qty
39	31-503	Bolt 5/16 x 1"	6
40	42-502	Flatwasher 5/16"	4
41	43-503	Lockwasher 5/16"	4
42	41-502	Hex Nut 5/16"	4
43	48-301	Hair Pin	2
44	80-105	Clevis Pin	2
45	69-025	Boom Fork Flat Grip	4
46	80-028	Deck Wheel	2
47	48-048	Shoulder Bolt 1/2 x 2-1/2"	2
48	42-104	Flatwasher	4
49	41-513	Lock Nut 3/8" SST	2

Mounting Instructions:



1. Mount Boom Mount Brackets, Item #12, Step 1, to sprayer frame using 34-107 hex bolts 1/2 x 2" Hex Bolts, Step 2, with hex nuts and lock washers. (Boom brackets can be mounted inside or outside of sprayer frame with angle facing in or out, depending upon the model of the sprayer).
2. Using a hoist, lift boom assembly to desired nozzle height. Bolt to closest aligning slots, depending if using single or triple nozzle bodies or if you have a 10" nozzle spacing boom, Step 3, using #34-104 1/2 x 1-1/4" hex bolts with hex nuts, flatwashers and lock washers.



**SDI Optimum Turf
Spray Boom Mounting**

Instr/Rev3/PI264/10/09jj