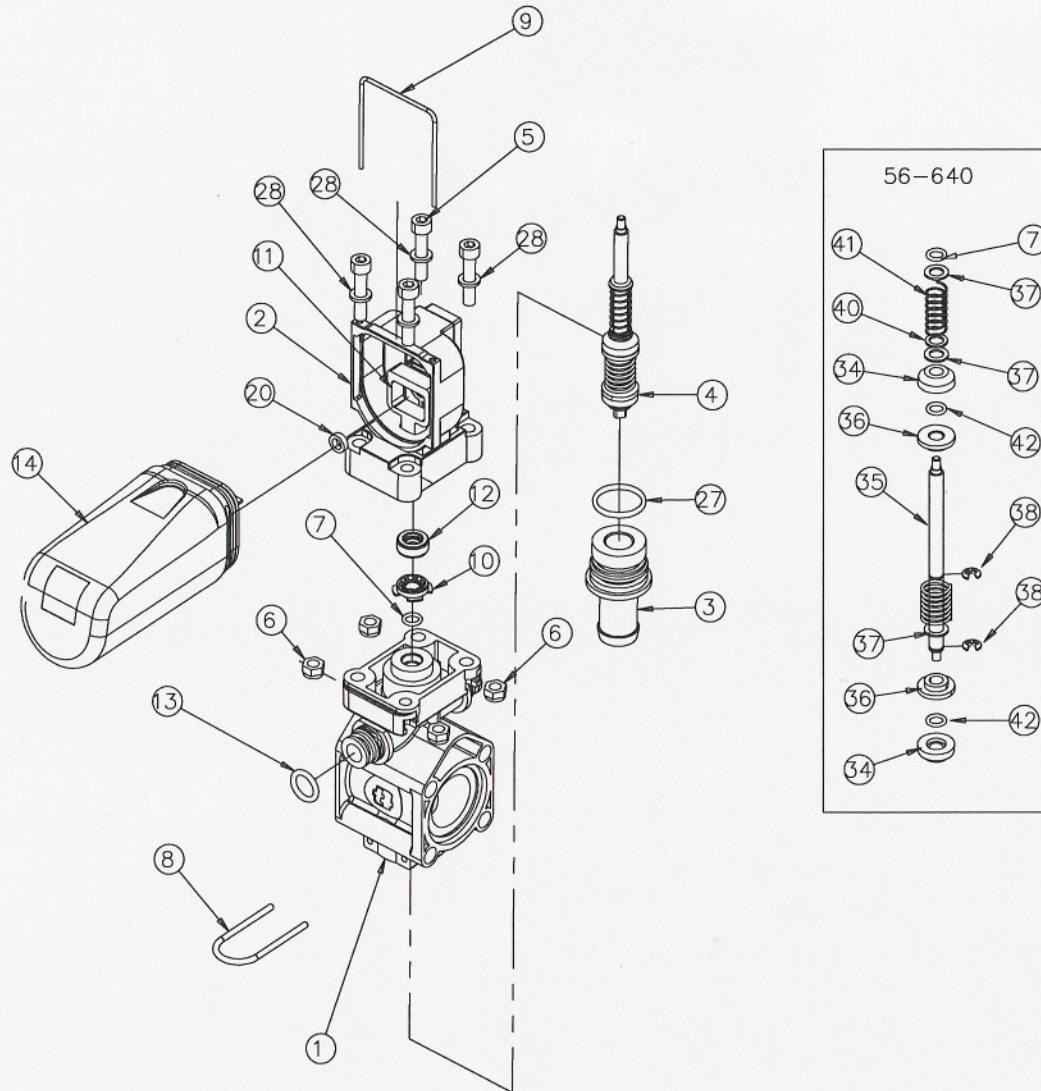


SPRAYING DEVICES, INC.

P.O. Box 3107 VISALIA, CA 93278 PH.# (559) 734-5555

56-501/T SINGLE MOTORIZED VALVE



Item	Part Number	Description	Qty.
1	56-637	Valve Body	1
2	56-633	Valve Motor Body	1
3	56-614	Adapter 3/4"HB	1
4	56-640	Valve Stem Kit	1
5	56-630	Screw 6M X 30M	4
6	56-605	Nut 6M	4
7	56-604	O-Ring 1.78M X 6.75M Viton	3
8	56-608	Lock Pin Round	1
9	15-629	Lock Pin Square	1
10	56-638	Snap Lock	1
11	56-632	Connecting Rod For Valve	1
12	56-601	O-Ring M7 X M16 X M7 VITON	1
13	56-635	O-Ring 2.62M X 12.37M Viton	1
14	56-626	Valve Motor Assembly	1
20	56-634	Motor Gear Pin Bushing	1
27	56-613	O-Ring 2.62M X 22.22M Viton	1
28	56-631	Screw 6M	4
34	56-643	Seat	2
35	56-656	Valve Stem	1
36	56-609	Washer	2
37	56-641	O-Ring 7.2M X 12M X 1M INOX	3
38	56-642	Washer , UNI 7434 4	2
39	56-655	Spring NRG011	1
40	56-644	O-Ring 7.1M X 11M X 1M INOX	1
41	56-657	Spring NRG011	1
			4