

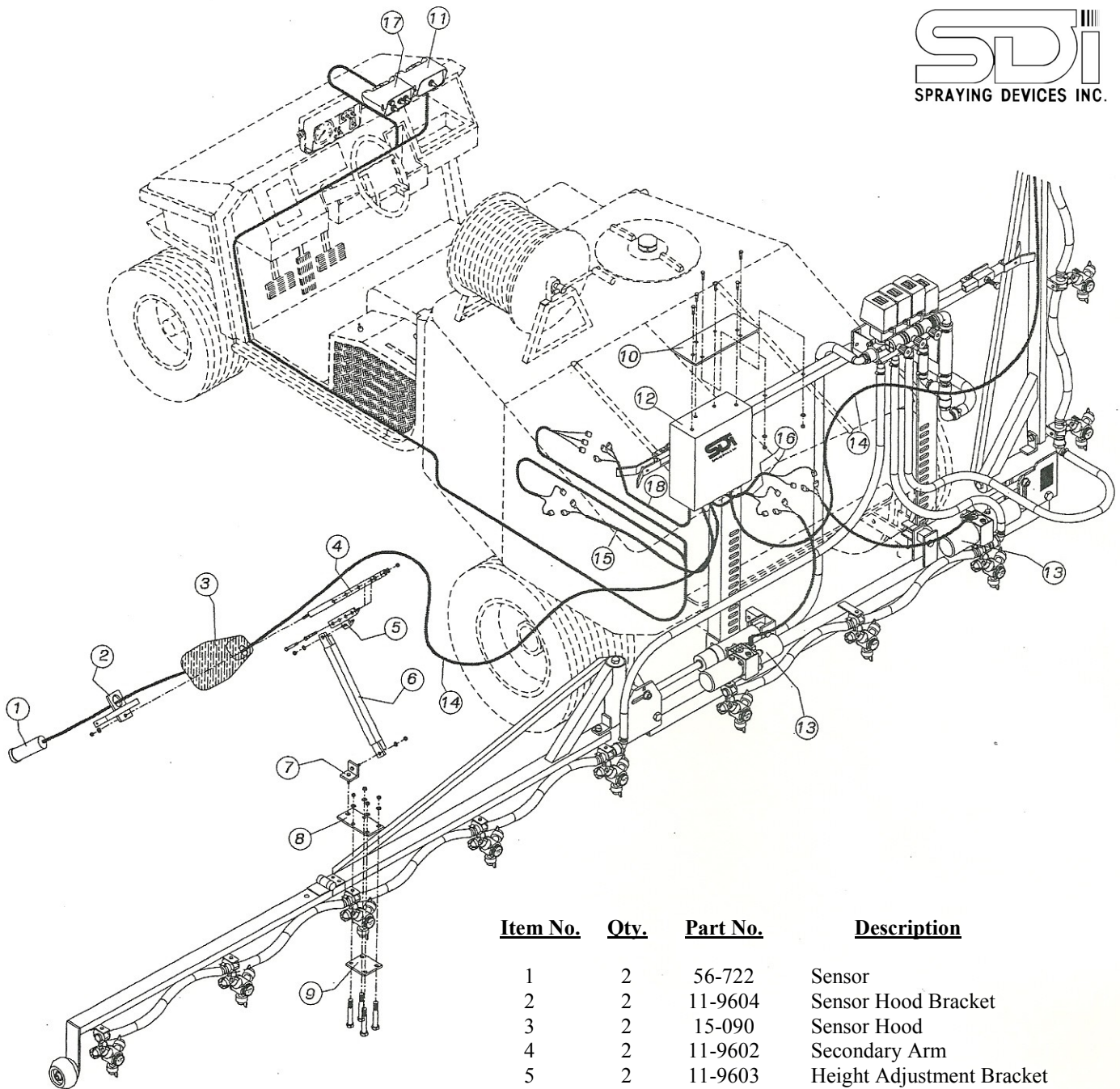
Parts Manual and Instructions

SDI's Boom Leveler

Model No. 81-BL1



Spraying Devices, Inc.
P. O. Box 3107, Visalia, CA. 93278-3107 USA
Tel: 559-734-5555/ Fax: (559) 734-5591
email: sales@sprayingdevices.com
www.sprayingdevices.com

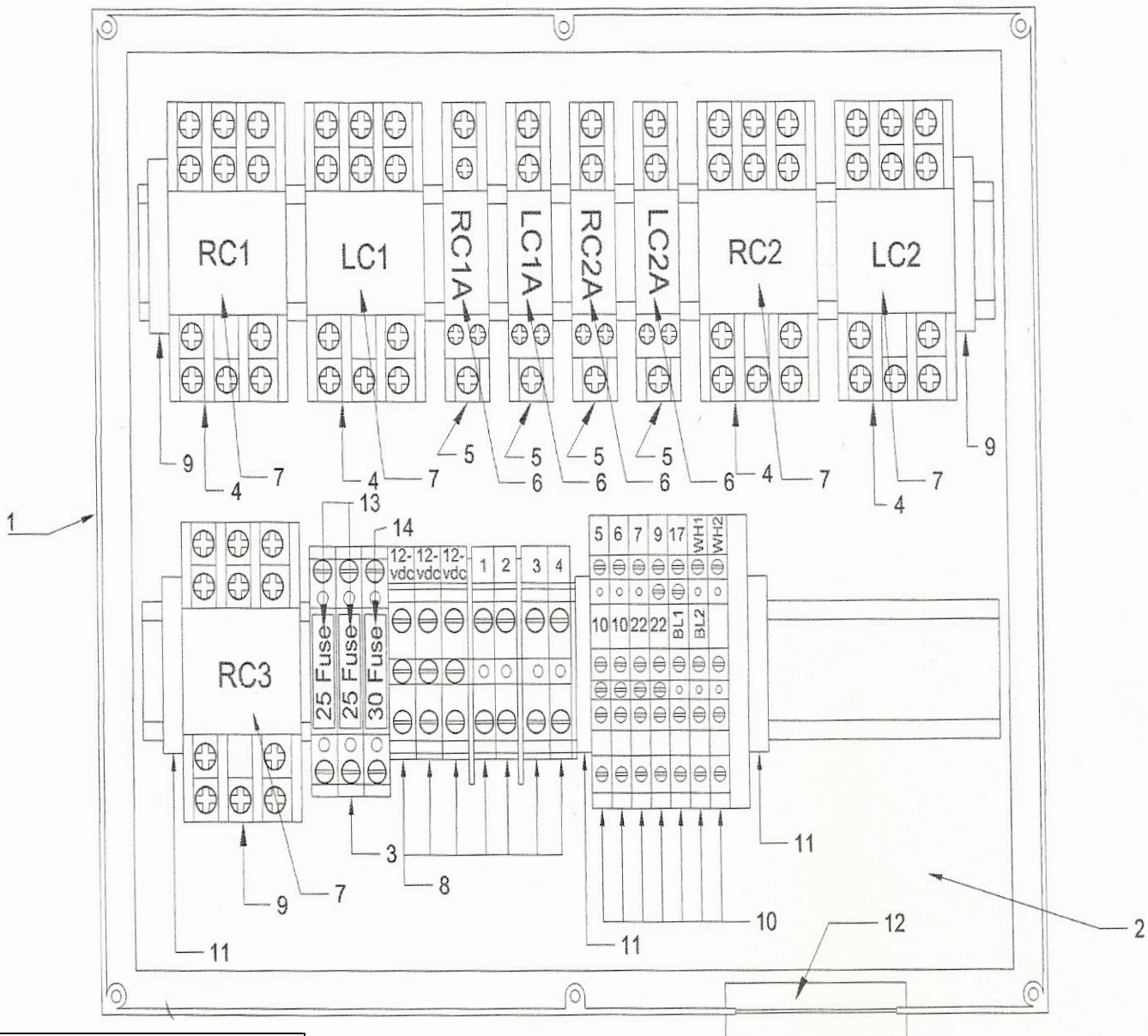


<u>Item No.</u>	<u>Qty.</u>	<u>Part No.</u>	<u>Description</u>
1	2	56-722	Sensor
2	2	11-9604	Sensor Hood Bracket
3	2	15-090	Sensor Hood
4	2	11-9602	Secondary Arm
5	2	11-9603	Height Adjustment Bracket
6	2	11-9601	Main Arm
7	2	11-9605	Swivel Bracket Angle
8	2	11-9606	Top Mounting Bracket
9	2	11-9607	Bottom Mounting Bracket
10	1	11-9608	Sensor Box Bracket
11	1	56-703	Switch Box, Man/Auto
12	1	56-702	Main Control Box
13	2	20-054	Actuator
14	2	56-7233	Sensor Cable
15	1	56-724	Control Box Cable to Man/Auto Switch Box
16	2	56-725	Control Box Cable to Actuator
17	1	61-270	Switch Box, Actuators
18	1	56-726	Control Box Cable, Actuator Switch Box

SDI Boom Leveler
Part No. 81-BL1

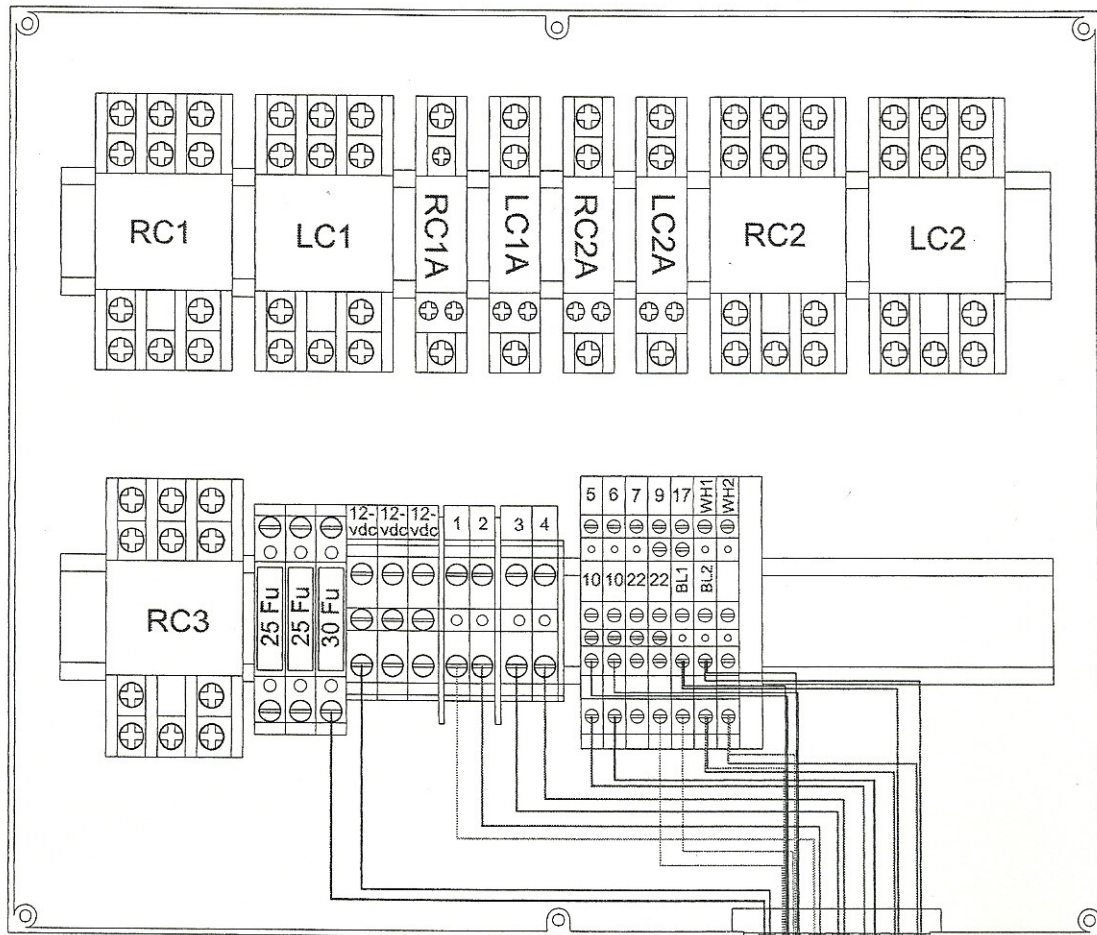
PI042014/jj

Item No.	Qty.	Part No.	Description
1	1	56-710	Enclosure
2	1	56-711	Back Panel
3	1	56-712	ATO Fuse Holder
4	5	56-713	11 Pin Relay Base
5	4	56-714	5 Pin Relay Base
6	4	56-715	SPDT Small Relay
7	5	56-716	DPDT Large Relay
8	7	56-717	Terminal Block
9	2	56-718	End Plate For Terminal Block CTS6U
10	7	56-719	2 Tier Terminal Block
11	3	56-720	End Plate for Terminal Block ODU4L
12	1	56-721	Cable Gland for Wire Entry
13	2	72-920	25 Amp Fuse
14	1	72-112	30 Amp Fuse



SDI Boom Leveler
Control Box Part No. 56-702

PI042014/jj



- To Control Box Cable-
Left Actuator, Red, Brown Wire
- To Control Box Cable-
Right Actuator, Red, Brown Wire
- 5 & 6 Manual/Auto Cable, Black, White Wire
- Right Actuator Cable, Red, Brown Wire
- Left Actuator Cable, Yellow, Green Wire
- Power Cable, Black, Red Wire
- Right Sensor Cable, Blue, Black, White, Brown Wire
- Left Sensor Cable, Blue, Black, White, Brown Wire

SDI 56-702 Control Box
 Cable Wiring

PI042014/jj

Installing the SDI 81-BL1 Automatic Boom Leveler on an SDI Boom *(Instructions should be similar on other make booms).*

1. If installing on a new boom, set boom at desired height, i.e. 20 inches from bottom of spray tip to ground.
2. The following will apply to new or existing booms. Install probe brackets on wings so the probes are on the front side of the boom, approximately 1/4 the length from the end of the wing.
3. If boom height is correct and boom wings are level, set the probe height to 30 inches from the bottom of the probe to the ground.
4. Install the control box on top and on the front side of the boom upright frame (the one with slots in the uprights).
5. Plug in all the wires as labeled. The wires that go to the actuators will now plug into the control box wiring. The new wires from the box will extend to the actuators.
6. Install the MAN. AUTO. Switch Box up by the sprayer operator. Connect the MAN/AUTO wires to wires 5 & 6 at the control box. Make certain it is switched to manual.
7. Connect the power leads to the battery leads.
 - A. If leveler does not work, the battery leads are probably backwards.
8. With the Switch Box set to manual, retract the actuators to the end of their slot. This will support the boom wings while removing the swag cables.
 - A. Removal of the swag cables is important; this will allow the wings to lower past center.
9. Now switch the MAN/AUTO Switch to Auto.
10. Run your foot under the probe, the wing should go up and then return to level.
11. Check that boom wings are level to the center section. If not, switch to manual and move the probe up or down to get close to level.
12. You should be ready to spray.
13. When not in use, always switch the MAN/AUTO Switch to manual to prevent draining the battery.

