

Figure 1
SDI Sprayer, Cushman Mount
P/N 891381/891634 & 891380/891633

SDI Economy Sprayers - Cushman Mount

Item Number	Part Number	Description	QTY
	891381	Sprayer Assembly, 125 Gal (Mfg before 9-4-92)	
	891634	Sprayer Assembly, 125 Gal (Mfg after 9-4-92)	
	891380	Sprayer Assembly, 160 Gal (Mfg before 9-4-92)	
	891633	Sprayer Assembly, 160 Gal (Mfg after 9-4-92)	
1	15-125	.Tank, 125 Gal (Use on 891381/891634)	1
1	15-161	.Tank, 160 Gal (Use on 891380/891633)	1
	70-100	.Decal, Turfmaster	2
	70-303	.Decal, Warning	1
	70-233	.Decal, Sight Gauge (Use on 891381/891634)	1
	70-232	.Decal, Sight Gauge (Use on 891380/891633)	1
2	16-079	.Agitator, Jet	1
3	16-112	.Flange, Tank, 1/4"	1
4	51-241	.Nipple, 1/4", Brass	1
5	11-101	.Disc, Anti-Vortex(Attached with Suction Flange Hardware)	1
5A	15-040	.Lid, Sprayer (Replaces 15-210 and all mounting hardware, requires tank modification)	1
6	16-211	.Gasket, Lid	1
7	17-202	.Hinge, Lid	2
		****Attaching Parts****	
		.Screw, Cap, 5/16" x 1 1/4"	4
		.Washer, Lock, 5/16"	4
		.Washer, Flat, 5/16"	8
		.Nut, 5/16"	4
		-----***-----	
8	17-203	.Latch, Cam, Lid	1
9	17-204	.Linkage, Lid Latch	2
10	11-202	.Bar, Lid	1
11	48-511	.Pin, Roll, 5/16"	3
12	16-202	.Strainer, Tank	1
13	16-070	.Vent, Tank	1
14	10-166	.Frame	1
15	11-237	.Angle, Frame, Hold Down	1
16	* 77-050	.Pump, Centrifugal * Refer to 19-201	1
17	53-434	.Adapter, 1MPT x 3/4HB	1
18	69-312	.Chain	12
	69-242	.S-Hook	2
19	21-932-20	.Hose, 1 1/4"	20
20	24-120	.Clamp, Hose, #20	2
21	52-126	.Adapter, Elbow, 1 1/4"MPT x 1/4"HB	1
22	52-310	.Coupling, Cam Lever	1
23	24-112	.Clamp, Hose, #12	6

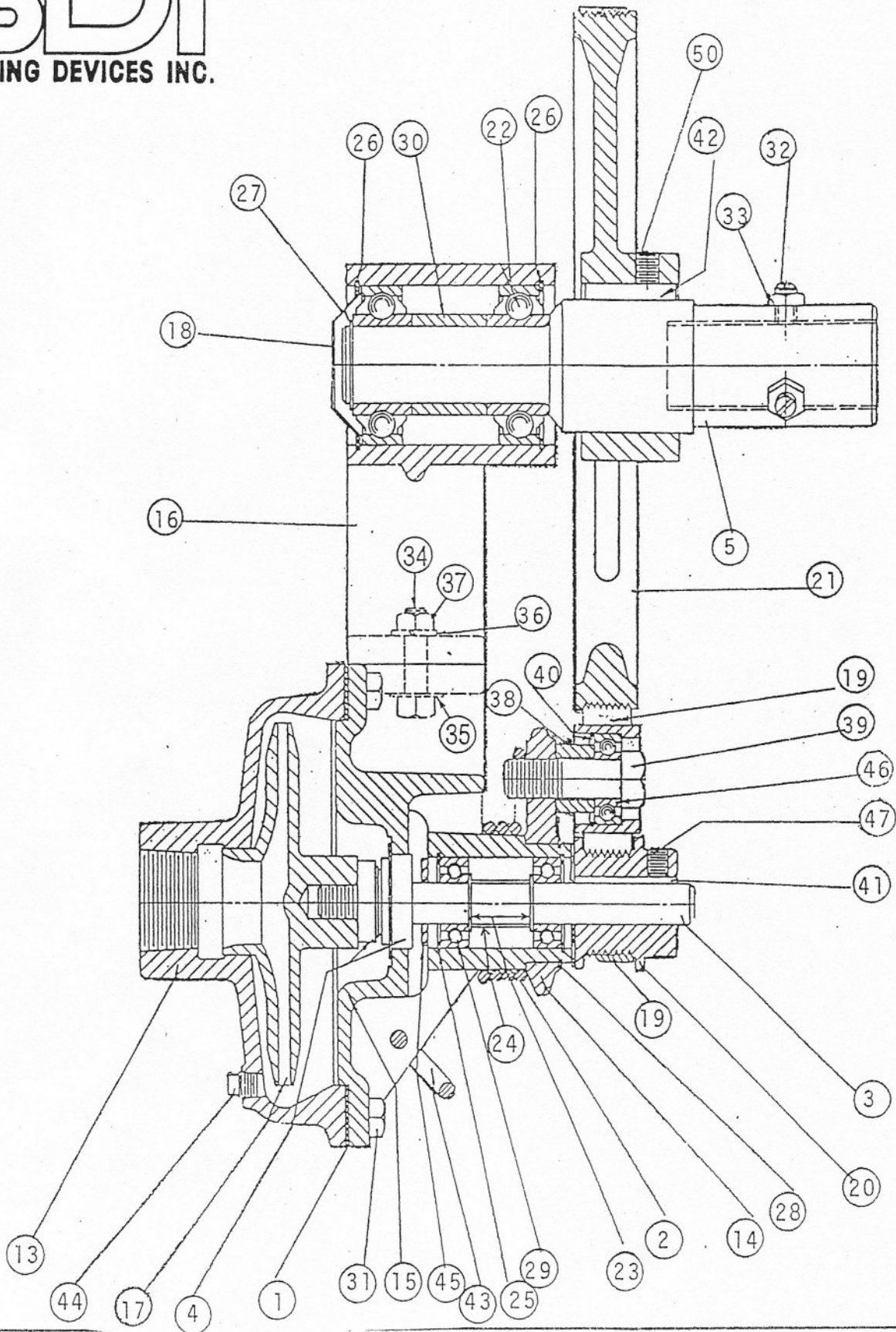
SDI Economy Sprayers - Cushman Mount

Item Number	Part Number	Description	QTY
24	21-930-68	.Hose, 3/4"	68
25	52-310	.Coupling, Cam Lever	1
26	21-933-24	.Hose, 1 1/2"	24
27	17-131	.Flange, Suction, 1 1/2"	1
		Attaching Parts	
	31-504	.Screw, Cap, 5/16" x 1 1/4"	2
	31-507	.Screw, 5/16" x 2	3
	43-502	.Washer, Lock, 5/16"	5
	42-502	.Washer, Flat, 5/16"	10
	41-502	.Nut, 5/16"	5
	58-130	.Sealer, 30"	1
	16-375	.Spacer, PVC, 1/2"	3
		-----*****-----	
28	47-205	.Bolt, U	1
29	52-811	. Elbow, Street, 1 1/4", PVC	1
29A	53-438	.Adapter, 1 1/4"MPT x 1 1/4"HB	1
30	51-701	.Nipple, Close, 1 1/4"	1
31	60-205	.Valve, Gate, 1 1/4"	1
32	11-039	.Bracket, Gate Valve	1
33	53-911	.Nipple, Close, 1 1/4"	1
34	52-311	.Coupling, Cam Lever, 1 1/4"	1
	57-120	.Strainer Assy	1
35	57-121	..Body, Strainer, 1 1/4"	1
36	57-116	..Gasket, Strainer	1
37	57-118	..Screen 40 Mesh	1
38	57-117	..Bowl, Strainer, Clear	1
44	81-028	.Valve Assy, Manual Control (See Fig 7)	1
44	81-026-1	.Valve Assy, Manual, Diaphragm Pump (See Fig 8)	1
52	15-210	.Lid, Tank	1
58	16-100	.Elbow, Hose Shank	2
59	24-104	.Clamp, Hose	2
60	16-922-14	.Tube, Plastic, 3/8"	14
61	21-930-23	.Hose, 3/4", (Use on 891380/891633)	23
61	21-930-25	.Hose, 3/4" (Use on 891381/891634)	25
62	21-948-17	.Hose, 1" (Used after 9-92)	17
62	21-930-17	.Hose, 3/4" (Used before 9-92)	17
64	52-280	.Elbow, 3/4"	1
65	24-112	.Clamp, Hose, #12	4
66	52-112	.Adapter, Hose, 3/4"MPT x 3/4"HB	2

SDI Economy Sprayers - Cushman Mount

Item Number	Part Number	Description	QTY
66	52-113	.Elbow, Adapter, 3/4MPT x 1/2"HB	1
66A	52-112	.Elbow, Adapter, 3/4MPT x 3/4HB	1
66A	52-121	.Elbow, Adapter, 3/4MPT x 1HB	1
67	51-501	.Nipple, Close, 3/4"	1
68	55-101	.Adapter, Swivel, 3/4"FPT x 3/4"FHT	1
69	60-609	.Body, Air Gap, Filler	1
70	16-122	.Fitting, Nylon, 2"	1
71	16-115	.Fitting, Nylon, 3/4"	1
72	11-241	.Bracket, Pin Mount, LH	1
73	11-240	.Bracket, Pin Mount, RH	1

MODEL 19-201 CENTRIFUGAL PUMP





MODEL 19-201/CENTRIFUGAL PUMP

Ref. Number	Part Number	Description	Qty
1	77-203	Gasket	1
2	77-300	Idler Torsion Spring	1
3	77-301	5/8" Shaft, Left Thread	1
4	77-206	Seal, Mechanical, Buna	1
4	77-207	Seal, Mechanical, Viton	1
5	77-302	1-3/8"- 6 Spline Shaft	1
13	77-209	Volute, 1-1/4 X 1"	1
14	77-303	Idler Arm	1
15	77-304	Mounting Frame	1
16	77-305	Housing, Bearing	1
17	77-306	Impellar, Valox	1
18	77-307	Name Plate	1
19	77-308	Poly V- Belt, 10 Groove	1
20	77-309	Poly-V Pulley, 10 Groove	1
21	77-328	Pulley, 10 Groove	1
22	77-310	Ball Bearing, Sealed	2
23	77-216	Snap Ring, External	2
24	77-217	Spacer, Shaft	1
25	77-218	Snap Ring, Internal	2
26	77-311	Snap Ring, Internal	2
27	77-312	Snap Ring, External	1
28	77-313	Snap Ring, External	1
29	77-219	Ball Bearing, Sealed	2
30	77-314	Spacer, Bearing	1
31	77-315	Cap Screw 3/8" X 3/4"	4
32	77-329	Set Screw, 3/8" NC	6
33	77-330	Jam Nut, 3/8" NC	6
34	77-316	Cap Screw, 3/8" x 1-3/4"	2
35	77-317	Flat Washer	2
36	77-318	Lock Washer, 3/8"	2
37	77-319	Nut, 3/8"	2
38	77-320	Spacer, 5/8"	1



MODEL 19-201/CENTRIFUGAL PUMP

Ref. Number	Part Number	Description	Qty
39	77-321	Cap Screw, 5/8" x 2-1/8"	1
40	77-322	Retainer Ring	1
41	77-323	Key	1
42	77-331	Key	1
43	77-324	Chain	1
44	77-325	Plug, Pipe 1/8"	3
45	77-222	Slinger	1
46	77-326	Idler Bearing	1
47	77-327	Allen Head Set Screw	2
50	77-332	Allen Set Screw, 3/8"	2

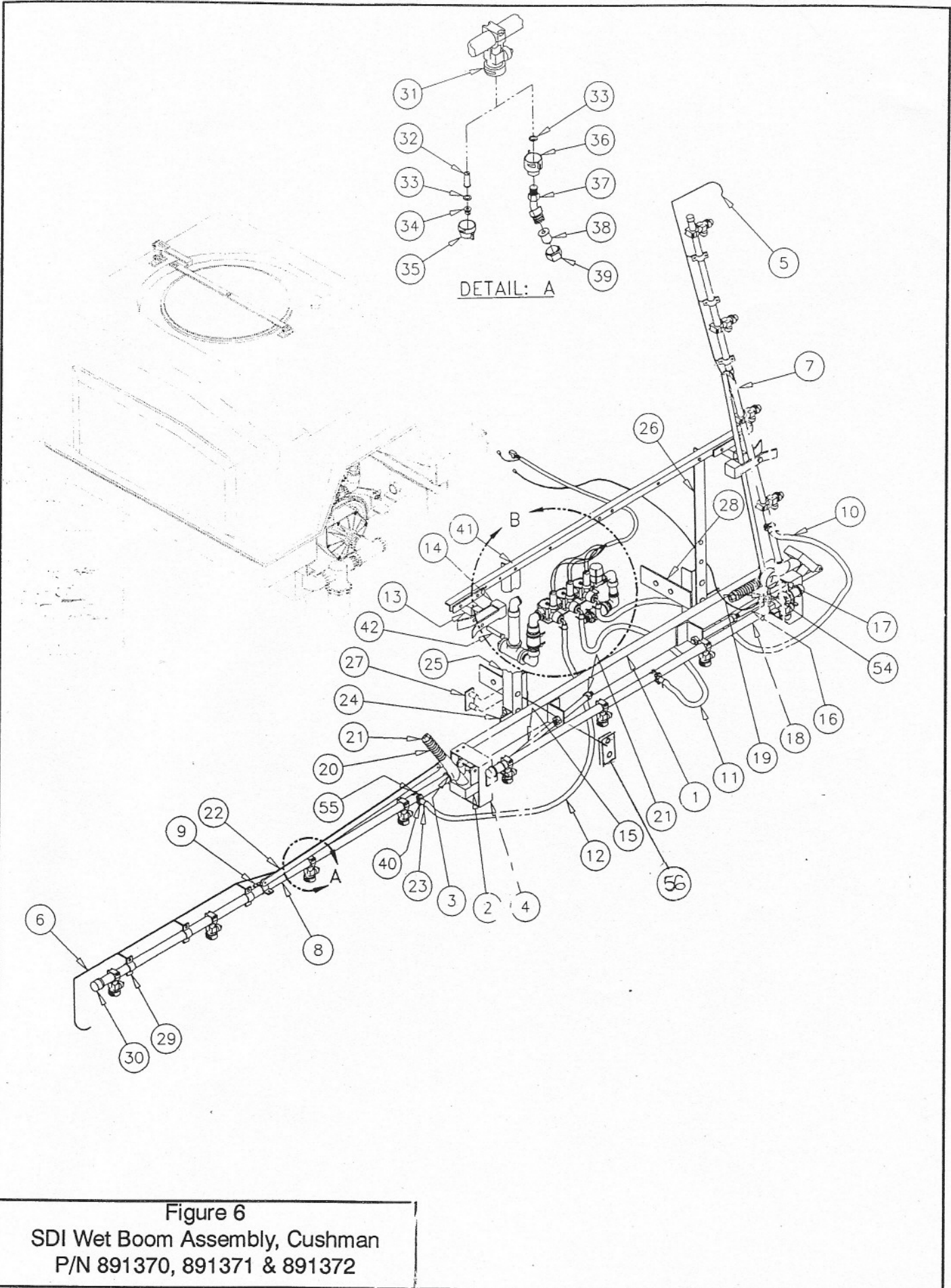


Figure 6
 SDI Wet Boom Assembly, Cushman
 P/N 891370, 891371 & 891372

Cushman Wet Boom Assemblies - Cushman Mount

Item Number	Part Number	Description	QTY
	891371	Boom Assembly, 15 Ft., 10" Nozzle Spacing	
	891372	Boom Assembly, 15 Ft., 20" Nozzle Spacing	
	891370	Boom Assembly, 20 Ft., 20" Nozzle Spacing	
1	11-290	.Tube, Mounting (Use on 891370/891371)	1
1	11-291	.Tube, Mounting (Use on 891372)	1
2	11-287	.Hinge, Boom	2
3	11-288	.Tube, Breakaway	2
4	11-289	.Frame, Hinge (Welded to mt tube on late models)	2
5	11-090	.Guard, Nozzle, Right	1
6	11-091	.Guard, Nozzle. Left	1
7	51-555R	.Boom, Spray, Right (Use on 891371 & 891372)	1
7	51-574R	.Boom, Spray, Right (Use on 891370)	1
8	51-555L	.Boom, Spray, Left (Use on 891371 & 891372)	1
8	51-574L	.Boom, Spray, Left (Use on 891370)	1
9	11-298	.Clamp, Pipe Support	2
10	21-952-58	.Hose, 3/4"	58
11	21-952-26	.Hose, 3/4"	26
12	21-952-56	.Hose, 3/4"	54
13	11-294	.Mount, Boom Holder	2
14	11-295	.Holder, Boom	2
15	11-296	.Bar, Leveling	2
16	11-297	.Tube	2
17	27-100	.Gauge, 100 PSI	1
18	51-547	.Boom, Spray, Center (Use on 891371)	1
18	51-546	.Boom, Spray, Center (Use on 891372)	1
18	51-568	.Boom, Spray, Center (Use on 891370)	1
19	50-220B	.Tee, 1/4"	1
20	45-181	.Spring, Tension	2
21	41-107	.Nut, 7/8"	2
22	11-299	.Bar, Boom Support	2
23	24-112	.Clamp, Hose, #12	6
24	11-060-1	.Angle, Tube to Upright	2
25	11-157	.Angle, Left, 28"	1
26	11-158	.Angle, Right, 28"	1
27	11-061	.Plate, Back-up	2
28	11-257	.Bracket, Mounting, Boom	2
29	64-280	.Clamp, Split Eyelet	8
30	52-581	.Cap, 3/4"	4
31	64-411	.Check Valve, Split Eyelet (Use on 891371)	18
31	64-411	.Check Valve, Split Eyelet(Use on 891372)	9
31	64-411	.Check Valve, Split Eyelet (Use on 891370)	12

Cushman Wet Boom Assemblies - Cushman Mount

Item Number	Part Number	Description	QTY
32	64-403	.Screen, Strainer(Use on 891371)	18
32	64-403	.Screen, Strainer(Use on 891372)	9
32	64-403	.Screen, Strainer(Use on 891370)	12
33	64-404	.Washer, Rubber(Use on 891371)	18
33	64-404	.Washer, Rubber(Use on 891372)	9
33	64-404	.Washer, Rubber(Use on 891370)	12
34	64-535	.Tip, Spray, XR8005VS (Use on 891371)	18
34	64-535	.Tip, Spray, XR8005VS (Use on 891372)	9
34	64-535	.Tip,. Spray, XR8005VS (Use on 891370)	12
35	64-406	.Cap, Black(Use on 891371)	18
35	64-406	.Cap, Black(Use on 891372)	9
35	64-406	.Cap, Black(Use on 891370)	12
36	64-323	.Cap, Adapter(Use on 891371)	18
36	64-323	.Cap, Adapter(Use on 891372)	9
36	64-323	.Cap, Adapter(Use on 891370)	12
37	64-330	.Body, Nozzle, 45 Deg(Use on 891371 & 891372)	9
37	64-330	.Body, Nozzle, 45 Deg(Use on 891370)	12
38	64-548	.Tip, Spray, FL10C(Use on 891371 & 891372)	9
39	64-321	.Cap, Nylon(Use on 891371 & 891372)	9
39	64-321	.Cap, Nylon(Use on 891370)	12
	64-324	.Plug(Use on 891371)	9
40	53-134	.Adapter, 3/4"MPT x 3/4"HB	3
41	11-264	.Angle, Cross(Use on 891371 & 891372)	1
41	11-265	.Angle, Cross(Use on 891370)	1
42	80-105	.Pin	2
	48-301	.Pin, Hair	2
51	50-260B	.Bushing, 1/4" x 1/8", Brass	1
52	50-220B	.Tee, 1/4", Brass	1
53	51-241	.Nipple, 1/4", Brass	1
54	64-314	.Eyelet, Split	1
55	52-410	.Saddle. Pipe	3