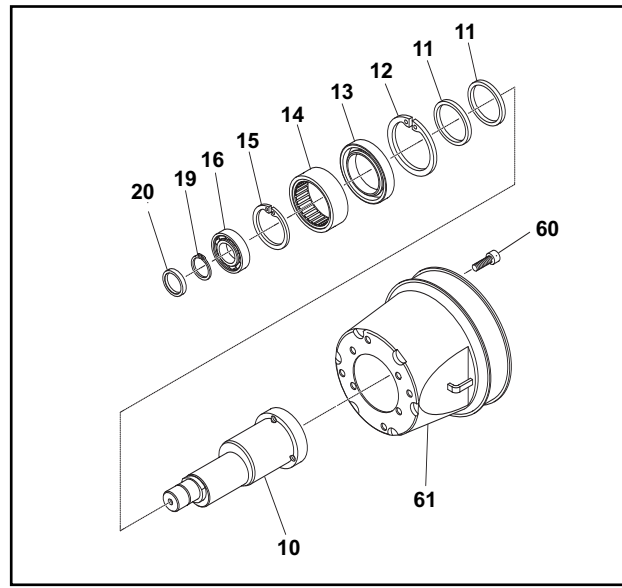
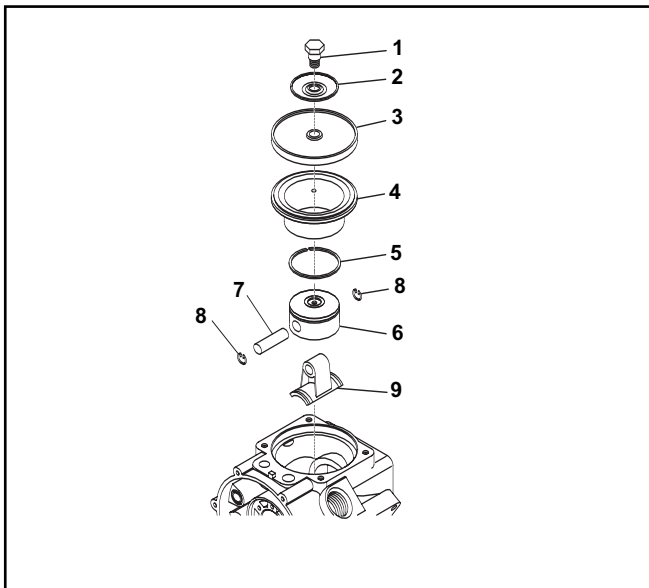
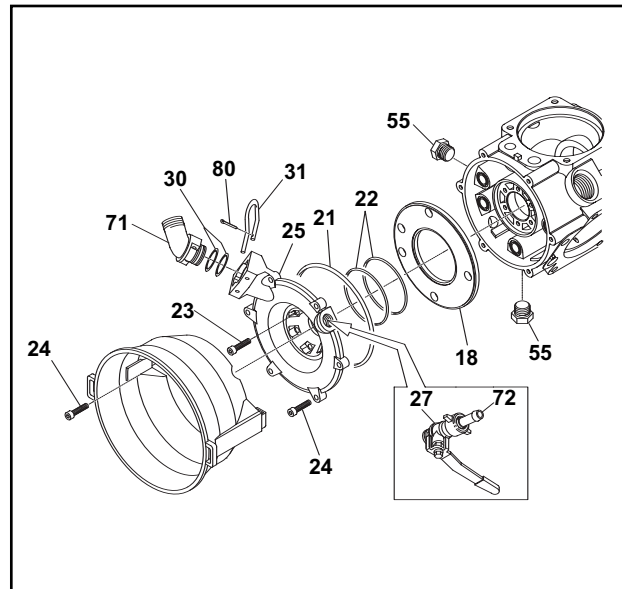
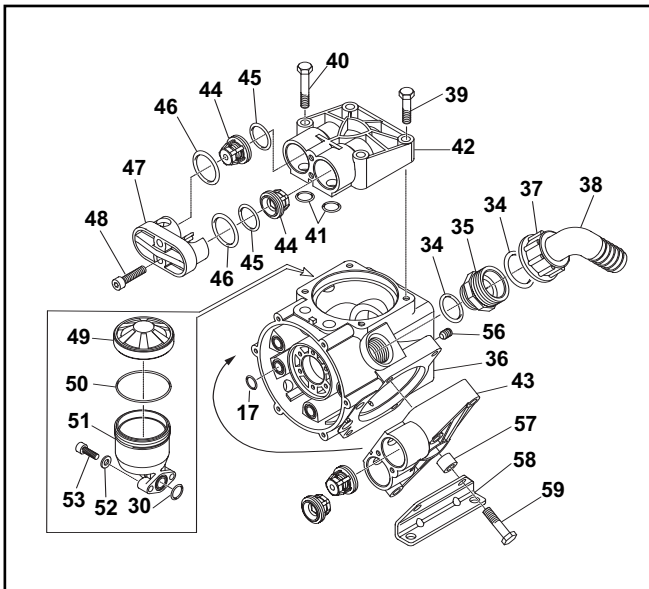


Models 9910-D503 & D503GRGI



NOTE: When ordering parts, give QUANTITY, PART NUMBER, DESCRIPTION, and COMPLETE MODEL NUMBER. Reference numbers are used ONLY to identify parts in the drawing and are NOT to be used as order numbers.

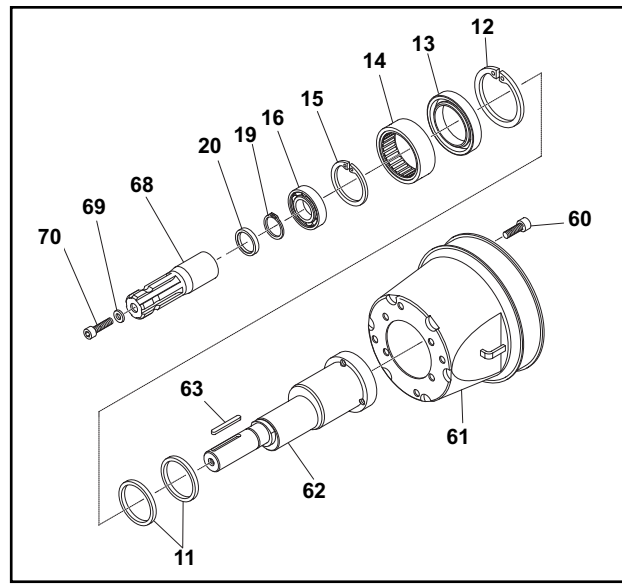


Figure 31

Models 9910-D503 & D503GRGI

Ref. No.	Part Number	Description	Qty.
1	9910-580360	Retaining Bolt	3
2	9910-1040180	Washer	3
3 ¹	9910-620085	Diaphragm, Desmopan (Std.)	3
3	9910-620080	Diaphragm, Buna-N (Opt.)	3
3	9910-62008T	Diaphragm, Buna-N with Teflon Coating (Opt.)	3
4	9910-1300110	Piston Sleeve	3
5	9910-160230	Seal Ring	3
6	9910-620120	Piston	3
7	9910-380300	Connecting Pin	3
8	9910-380080	Retaining Ring	3
9	9910-1300140	Connecting Rod	3
10	9910-1300170	Shaft	1
11	9910-1300120	Retaining Ring	2
12	9910-1300240	Retaining Ring	1
13	9910-1300220	Seal	1
14	9910-1300210	Bearing	1
15	9910-1260790	Retaining Ring	1
16	9910-180400	Bearing	1
17 ³	9910-740290	O-Ring	5
18	9910-1300020	Manifold Plate	1
19	9910-1260770	Retaining Ring	1
20	9910-1300230	Seal	1
21 ³	9910-1300270	O-Ring	1
22 ³	9910-640030	O-Ring	2
23	9910-880280	Bolt	6
24	9910-1040370	Bolt	6
25	9910-1300030	Outlet Manifold	1
26	9910-1040330	Shield (Optional)	1
27	9910-130491	Ball Valve 3/8" Hose Barb Assy.	1
30 ³	9910-390180	O-Ring	2
31	9910-1040690	Clip	2
34 ³	9910-390290	O-Ring	2

¹ Denotes Diaphragm Kit 9910-KIT1881

² Denotes Valve Kit 9910-KIT1987

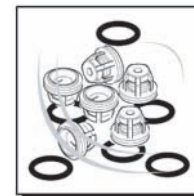
³ Denotes O-Ring Kit 9910-KIT1984

Ref. No.	Description	Tightening Torque	
		In. Lbs.	Nm
1	Bolt	261.6	29.3
23	Bolt	87.5	9.8
24	Bolt	87.5	9.8
39	Bolt	393.7	44.1
40	Bolt	393.7	44.1
48	Bolt	175.0	19.6
53	Bolt	87.5	9.8
55	Bolt	87.5	9.8
59	Bolt	393.7	44.1
60	Bolt	175.0	19.6
70	Bolt	175.0	19.6

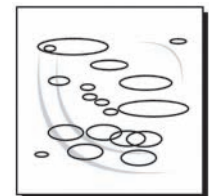
Ref. No.	Part Number	Description	Qty.
35	9910-450120	Port Adapter	1
36	9910-1300010	Body	1
37	9910-580060	Hose Barb Nut	1
38	9910-580040	Hose Barb	1
39	9910-200230	M10 x 45 Bolt	4
40	9910-640230	M10 x 60 Bolt	4
41 ³	9910-480440	O-Ring	6
42	9910-1300101	Head (DX)	2
43	9910-1300102	Head (SX) Bottom Left	1
44 ²	9910-1409050	Valve	6
45 ^{2,3}	9910-620030	O-Ring	6
46 ^{2,3}	9910-540361	O-Ring	6
47	9910-1300190	Valve Retainer	3
48	9910-620610	M8 x 30 Bolt	6
49	9910-1040322	Oil Cap	1
50 ³	9910-650920	O-Ring	1
51	9910-1040310	Oil Sight Glass	1
52	9910-550331	Washer	2
53	9910-850850	M6 x 30 Bolt	2
55	9910-130171	Plug	1
56	9910-770070	Drain Plug, oil	1
57	9910-1300280	Spacer	2
58	9910-1300090	Mounting Base	2
59	9910-1300360	M10 x 65 Bolt	4
60	9910-820670	M10 x 16 Bolt	4
61	9910-1500350	Shield (Opt.)	1
62	9910-1300160	Thru-Shaft (Opt.)	1
63	9910-650250	Key	1
68	9910-650300	1-3/8" 6B Spline Adapter	1
69	9910-961340	Washer	1
70	9910-680350	M8 x 35 Bolt	1
71	9910-1040760	Coupling	1
72	9910-110131	Hose Barb (3/8)	1
80	9910-1040950	Split Pin	1



9910-KIT1881 Diaphragm Kit Desmopan	
Ref. No.	Qty.
3	3
41	6



9910-KIT1987 Valve Kit	
Ref. No.	Qty.
44	6
45	6
46	6



9910-KIT1984 O-Ring Kit	
Ref. No.	Qty.
17	6
21	1
22	2
30	3
34	2
41	6
45	6
46	6
50	1