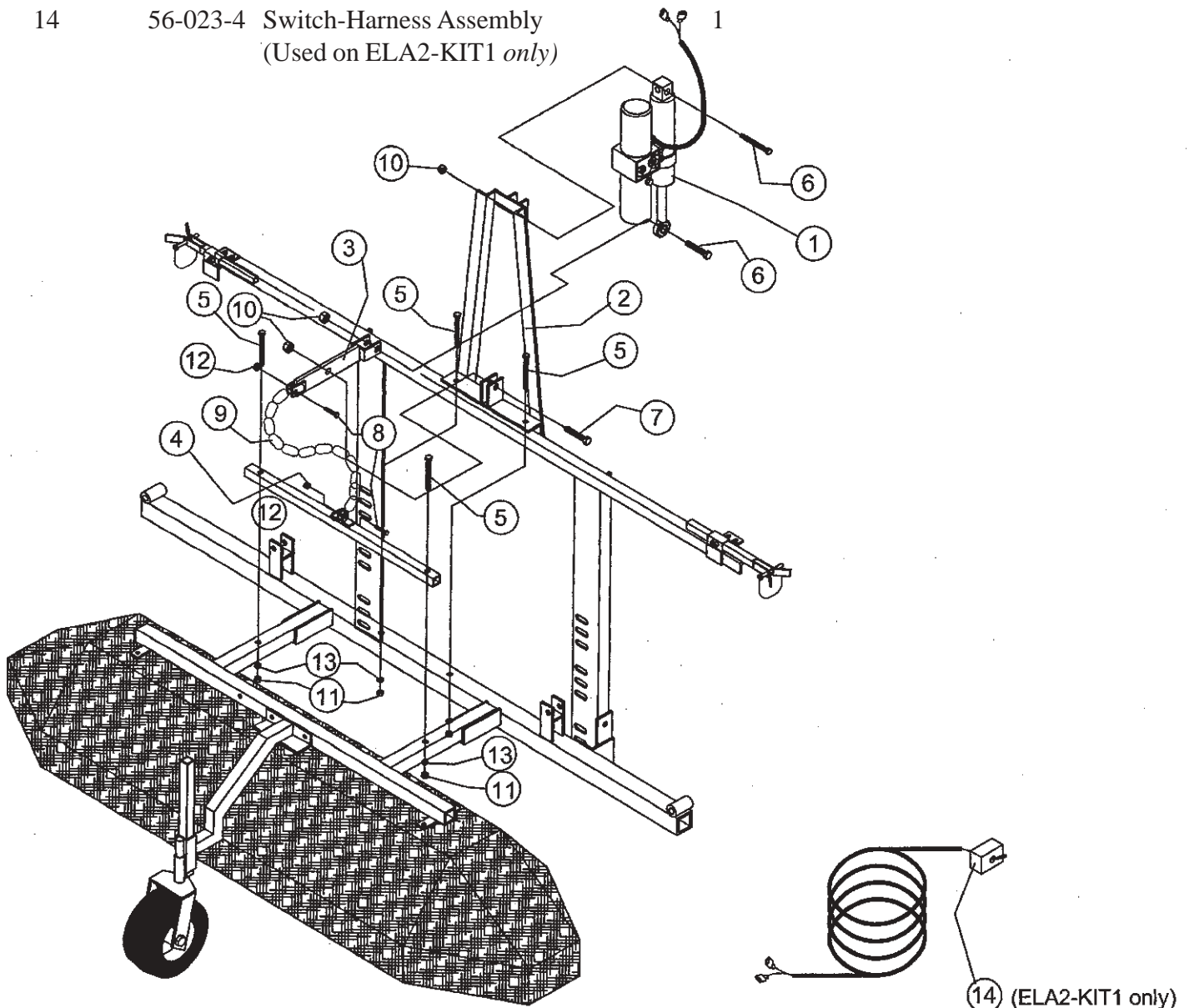


<u>Item No.</u>	<u>Part No.</u>	<u>Description</u>	<u>Quantity</u>
1	20-0541	Actuator Hydraulic Linear DC Motor	1
2	11-580	Center Bracket	1
3	11-581	Rotating Arm	1
4	11-582	Brace	1
5	32-511	Hex Bolt 3/8 x 3" SST	4
6	34-109	Hex Bolt 1/2 x 2-1/2"	2
7	34-107	Hex Bolt 1/2 x 2"	1
8	31-504	Hex Bolt 5/16 x 1-1/4" SST	2
9	69-930	Chain, Per Foot	.5
10	41-514	Lock Nut 1/2" SST	3
11	41-503	Hex Nut 3/8" SST	4
12	41-512	Lock Nut 5/16" SST	2
13	43-503	Lock Washer 3/8" SST	4
14	56-023-4	Switch-Harness Assembly (Used on ELA2-KIT1 only)	1



**SDI Electric Actuator Kit  
ELA2-KIT1 and ELA2-KIT1AF**

PI0408/0113jj