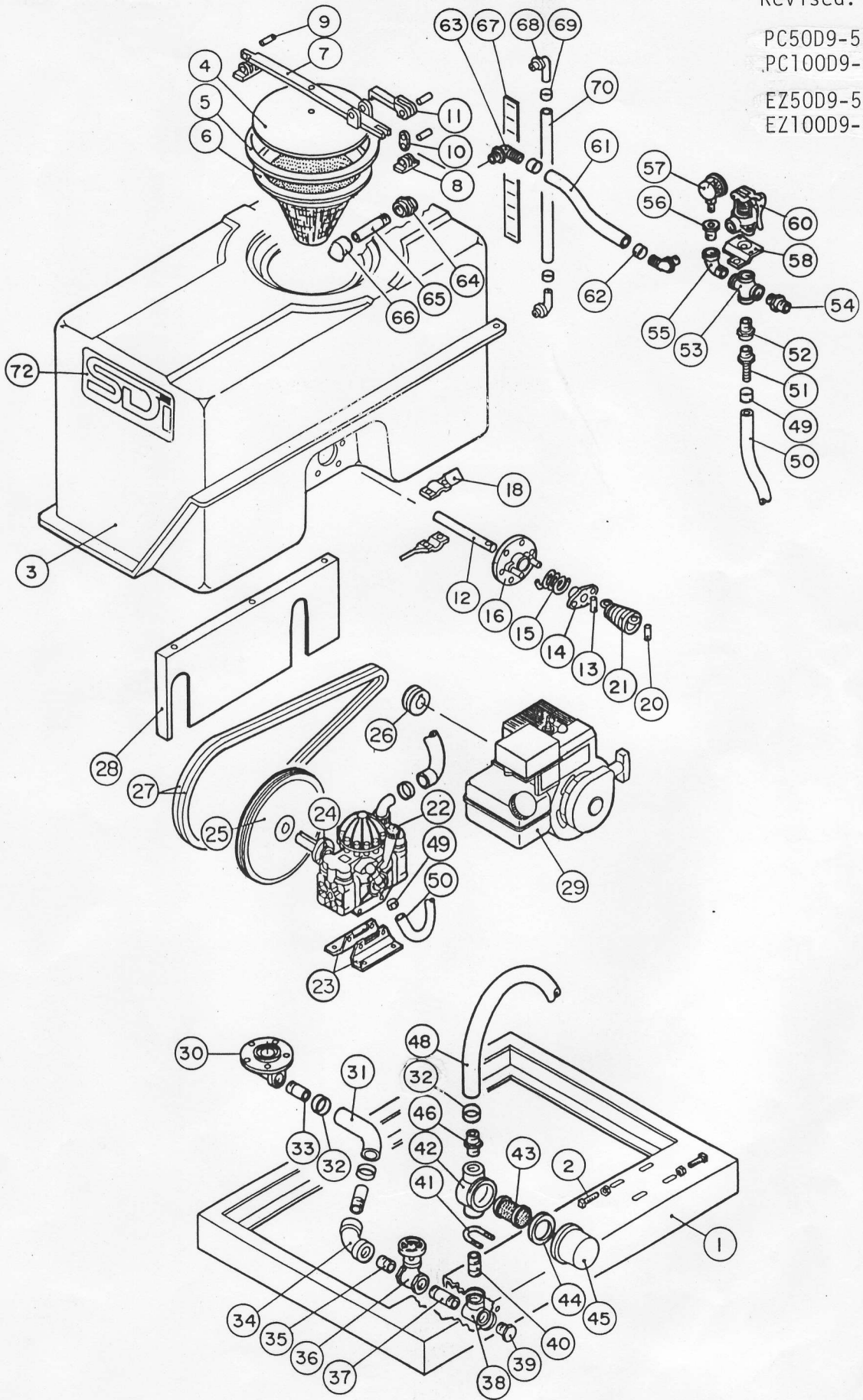


PARTS LIST

Revised: 11-17-88

PC50D9-5B  
PC100D9-5B

EZ50D9-5B  
EZ100D9-5B





50 GALLON SPRAYER  
PARTS LIST

PARTS LIST  
March 28, 1984

<u>DESCRIPTION</u>	<u>PART NO.</u>	<u>PC50 D9-5B</u>
<u>FRAME</u>		
Frame, 50 gallon	10-050	1
Set Screw 1/2" X 2" Sq. Head	45-228	2
<u>TANK GROUP</u>		
Tank, 50 gallon	15-050	1
Decal, SDI Logo	70-106	1
Lid	15-110	1
Lid Gasket 38"	16-210	1
Lid Bar	11-201	1
Hinge, Lid Bar, Nylon	17-202	2
Cam Latch	17-203	1
Linkage	17-204	1
Roll Pin, 5/16" X 1", SST	48-511	3
Tank Strainer	16-201	1
Agitator Gland, Nylon	16-140	1
Packing Nut	16-141	1
Locknut, 1/4" SST	41-511	2
Packing, Teflon	16-807	1
Sealer, 30"	58-130	2
Agitator Shaft	16-142	1
Agitator Paddle	16-143	1
<u>POWER GROUP</u>		
Pump, D30	99-030	1
Pulley, 14", 2GR 3V	66-214	1
Pulley, 2.65", 2GR 3V	66-226	1
Belt, 3V X 600	67-600	2
Engine, 5HP B&S	20-105	1
<u>PIPING GROUP</u>		
Suction Flange, Nylon 1"	17-130	1
Nipple, 1" X 2" TOE	51-562	2
Clamps #20	24-120	2
Hose, 1-1/4" X 22", 200 PSI	21-822	1
Gate Valve, 1"	60-204	1
Tee, 3/4"	50-520	1
Plug 1"	50-680	1
Nipple, 1" X 3"	51-603	1
Strainer, Suction 1" (complete)	57-114	1
Body	57-115	
Screen, 20 Mesh	57-118	
Gasket	57-116	
Bowl, Clear	57-117	

(continued)



50 GALLON SPRAYER  
PARTS LIST

PARTS LIST  
March 28, 1984

<u>DESCRIPTION</u>	<u>PART NO.</u>	<u>PC50 D9-5B</u>
<u>PIPING GROUP (continued)</u>		
Elbow, 3/4", 45° PVC Slip	52-275	1
Nipple, 3/4" X 4", PVC	53-128	1
Nylon fitting, 3/4" DT	16-115	1
Elbow Adapter, 3/4 MPT X 3/4 HB	52-116	1
Hose, 3/4" X 30", 200 PSI	21-330	1
Hose Clamps, #12	24-112	2
Relief Valve	9910-62/90-6	1
Bracket, Relief Valve	11-147	1
Bushing, 3/4" X 1/4"	50-560	1
Gauge, 0-600 PSI	27-600	1
Adapter, 3/4" MPT X 3/4" MHP	55-108	2
Coupling, Female, 1/2"	55-211	1
Hose Clamp Bandit J203	24-203	2
Hose, 1/2" X 31", 800 PSI	21-431	1
Hose Shank Elbow 3/8	16-100	2
Hose Clamp #4	24-104	2
Plastic Tube, 3/8" X 10"	16-155	1
Belt Guard	15-115	1
Support, Relief Valve	11-149	1
Bracket, Belt Guard	11-150	1
Drive Coupling	17-110	1
Hose, 1" X 24", Wire Bound	21-724	1
Drive Screw, #6 X 5/6, SST	45-550	2
Roll Pin, 1/4" X 1-1/8", SST	48-510	1
Roll Pin, 1/4" X 1-1/2", SST	48-515	1
St. Ell, 3/4"	50-510	2
St. Ell, 3/4", 45°	50-512	1
St. Ell, 1", 45°	50-612	1
Coupling, 1"	50-650	1
Nipple, 1" X 4"	51-604	1
Elbow Adapter, 1/2 MHT X 3/4 HB	52-112	1
Elbow Adapter, 1" MPT X 1" HB	52-120	1
Base	9910-38/20	2
Shaft, Pump	63-310	1
<u>MISCELLANEOUS</u>		
Decal, Tank Sight Gauge, Top	70-211	1
Decal, Tank Sight Gauge, Bottom	70-212	1

(continued)



PARTS LIST

PARTS LIST

PAGE: 1

Revised: 11-17-88

PC50D9-5B

EZ50D9-5B

PC100D9-5B

EZ100D9-5B

<u>REF. NO.</u>	<u>DESCRIPTION</u>	<u>PART NO.</u>	<u>QTY</u>
1	Frame, 50 Gallon	10-051	1
1	Frame, 100 Gallon	10-110	1
2	Set Screw, 1/2" x 2", Sq Head	45-228	2
3	Tank, 50 Gallon	15-051	1
3	Tank, 100 Gallon	15-104	1
4	Lid	15-110	1
5	Gasket, Lid 38"	16-210	1
6	Tank Strainer (OPTIONAL)	16-201	1
7	Lid Bar, Locking	11-203	1
8	Hinge, Lid Bar, Nylon	17-202	2
9	Roll Pin, 5/16" x 1", SST	48-511	3
10	Linkage	17-204	1
11	Cam Latch	17-203	1
	Cap screw, 5/16" x 1" SST	31-503	4
	Cap screw, 5/16" x 1 1/4" SST	31-504	1
	Flatwasher, 5/16" SST	42-502	10
	Lockwasher, 5/16" SST	43-502	4
	Nut, 5/16" SST	41-502	4
	Locknut, 5/16" SST	41-512	1
12	Agitator Shaft 3/8" x 6 1/2", SST, 50 Gal	16-142	1
	Agitator Shaft 5/8" x 36 1/2" SST, 100 Gal	16-136	1
13	Roll Pin, 1/4" x 1 1/8" SST	48-510	1
14	Nut, Packing	16-141	1
15	Packing	16-807	1
16	Gland, Agitator, Nylon	16-140	1
	Cap screw, 5/16" x 1 1/4" SST	31-504	12
	Flatwasher, 5/16" SST	42-502	12
	Lockwasher, 5/16" SST	43-502	6
	Nut, 5/16" SST	41-502	6
	Sealer, 30"	58-130	2
18	Agitator Paddle, SST, Right	16-269	1
20	Roll Pin, 1/4" x 1 1/2", SST	48-515	1
21	Drive Spring, Agitator	17-111	1
22	Pump, D30	99-030	1
23	Pump Mount Bracket, D30	11-251	2
24	Shaft, Pump	63-310	1
25	Pulley, 14", 2GR, 3V	66-214	1
26	Pulley, 2.65", 2GR, 3V, 3/4" Bore	66-227	1
27	Belt, 3V x 600	67-600	2
28	Belt Guard	11-304	1
29	Engine, 5HP B&S	20-105	1
29	Engine, 5HP Honda	20-305	1
30	Suction Flange	17-130	1
	Cap screw, 5/16" x 1" SST	31-503	6
	Flatwasher, 5/16" SST	42-502	12
	Lockwasher, 5/16" SST	43-502	6
	Nut, 5/16" SST	41-502	6
	Sealer, 30"	58-130	2
31	Hose, 1" x 12", Suction	21-712	1
32	Clamps, #20	24-120	4
33	Adapter, 1" MPT x 1" HB Nylon	53-435	1



## PARTS LIST

PC50D9-5B                   EZ50D9-5B  
 PC100D9-5B                EZ100D9-5B

<u>REF. NO.</u>	<u>DESCRIPTION</u>	<u>PART NO.</u>	<u>QTY</u>
34	St. Ell. 3/4", 45°	50-512	1
36	Gate Valve, 3/4"	60-203	1
37	Nipple, 3/4" x 3"	51-503	1
38	Tee, 3/4"	50-520	1
39	Plug, 3/4"	50-580	1
40	Nipple, 3/4" x 6"	51-506	1
41	U-Bolt 1/4" x 1 1/4" x 2 1/4"	47-103	1
42	Body, Strainer	57-095	1
43	Screen, Strainer	57-098	1
44	Gasket, Strainer	57-096	1
45	Bowl, Strainer	57-097	1
	Strainer, Suction 3/4" Complete	57-094	1
46	Adapter, 3/4" MPT x 1" HB	53-135	2
48	Hose, 1" x 20", Suction	21-720	1
49	Clamps, Bandit, J203	24-203	2
50	Hose, 1/2" x 40", 800 PSI	21-400	1
51	Coupling, Male, 1/2"	55-212	1
52	Adapter, 3/4" MPT x 3/4" FHT	55-108	1
53	Cross, 3/4", 45°	50-540	1
54	Adapter, 3/4" MPT x 3/4" MHT	55-106	1
55	St. Ell, 3/4"	50-510	2
56	Bushing, 3/4" x 1/4"	50-560	1
57	Gauge, 0-600 PSI	27-600	1
58	Bracket, Relief Valve	11-147M	1
60	Relief Valve	9910-629060	1
61	Hose, 3/4" x 11", 200 PSI	21-311	1
62	Clamps, #12	24-112	2
63	Elbow Adapter, 3/4" MHT x 3/4" HB	52-112	1
64	Nylon Fitting	16-115	1
65	Nipple, 3/4" x 6" PVC	53-128	1
66	Elbow, 3/4", 45° PVC Slip	52-275	1
67	Decal, Tank Sight & Gauge	70-211	1
68	Hose Shank Elbow, 3/8"	16-100	2
69	Clamps, #4	24-104	2
70	Plastic Tube, 3/8" x 15 1/2"	16-157	1
72	Decal, Logo	70-106	2