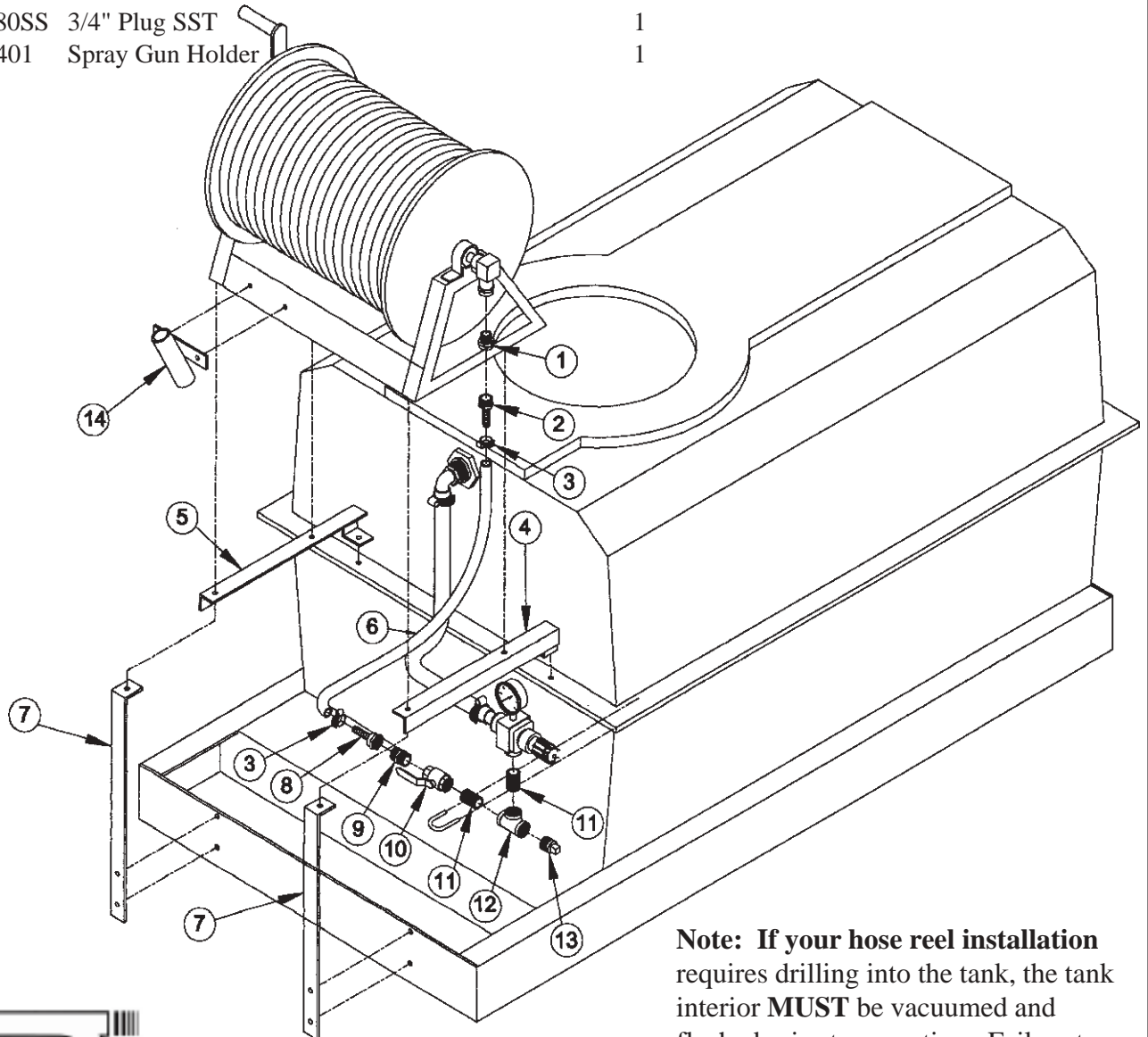


**SDI Hose Reel Mounting  
Kit Part #'s 81-135/81-136/  
81-137 and 81-139**

| Item | Part #   | Description                               | Qty     |
|------|----------|---|---------|
| 1    | 55-106   | Adapter 3/4 MPT x 3/4" FGHT               | 1       |
| 2    | 55-212   | Hose Coupling 3/4 MPT x 1/2" HB           | 1       |
| 3    | 24-203   | Bandit Hose Clamp #JS204                  | 2       |
| 4    | 11-374   | Horizontal Bracket-81-135 Only            | 1       |
| 4    | 11-308L  | Horizontal Bracket-81-136 and 81-137 Only | 1       |
| 4    | 11-372   | Left Horizontal Bracket-81-139 Only       | 1       |
| 5    | 11-373   | Right Horizontal Bracket-81-139 Only      | 1       |
| 5    | 11-308R  | Horizontal Bracket-81-136 and 81-137 Only | 1       |
| 5    | 11-374   | Horizontal Bracket-81-135 Only            | 1       |
| 6    | 81-500   | Hose 1/2" ID 800 PSI, Per Foot            | Specify |
| 7    | 11-376   | Vertical Bracket-81-135 and 81-136 Only   | 2       |
| 7    | 11-377   | Vertical Bracket-81-137 Only              | 2       |
| 7    | 11-381   | Vertical Bracket-81-139 Only              | 2       |
| 8    | 55-211   | Hose Coupling 3/4 FGHT x 1/2" HB          | 1       |
| 9    | 55-107   | Adapter 3/4 MPT x 3/4" MGHT               | 1       |
| 10   | 60-324   | 3/4" Ball Valve                           | 1       |
| 11   | 50-501SS | 3/4" Close Nipple SST                     | 2       |
| 12   | 50-520SS | 3/4" Tee SST                              | 1       |
| 13   | 50-580SS | 3/4" Plug SST                             | 1       |
| 14   | 11-401   | Spray Gun Holder                          | 1       |



**Note: If your hose reel installation requires drilling into the tank, the tank interior MUST be vacuumed and flushed prior to operation. Failure to do so will cause clogging of the system's filters and screens.**



RevBPI137/112jj