

# SDI

SPRAYING DEVICES INC.

# 1125 Series

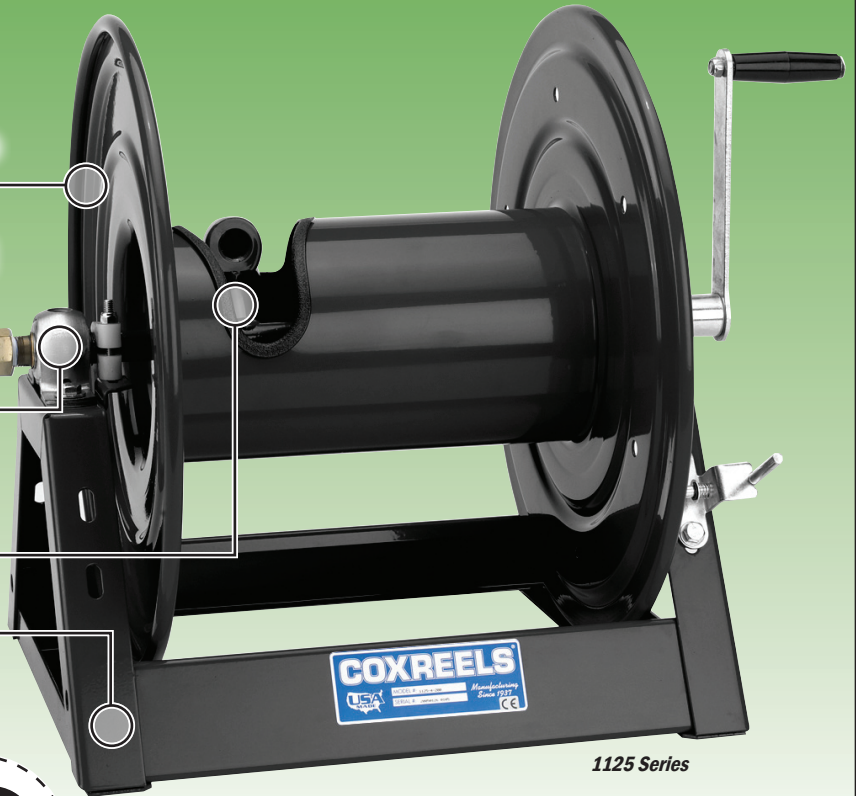
CNC robotically spun 16 gauge steel discs

Free flow, machined from solid brass swivel

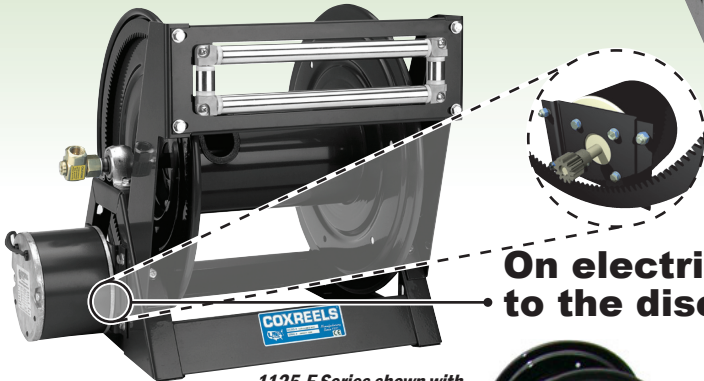
Permanently lubricated pillow block bearings

Low profile riser & open drum slot for smooth even hose wraps - **NO HUMPI!**

All welded steel "A" frame



1125 Series



1125-E Series shown with optional 4-Way Roller

On electric models a solid steel halo is welded to the disc for a direct gear driven motor - **NO CHAINS**



PCO SPRAYERS



TURF N' TREES SPRAYER

[www.sprayingdevices.com](http://www.sprayingdevices.com)

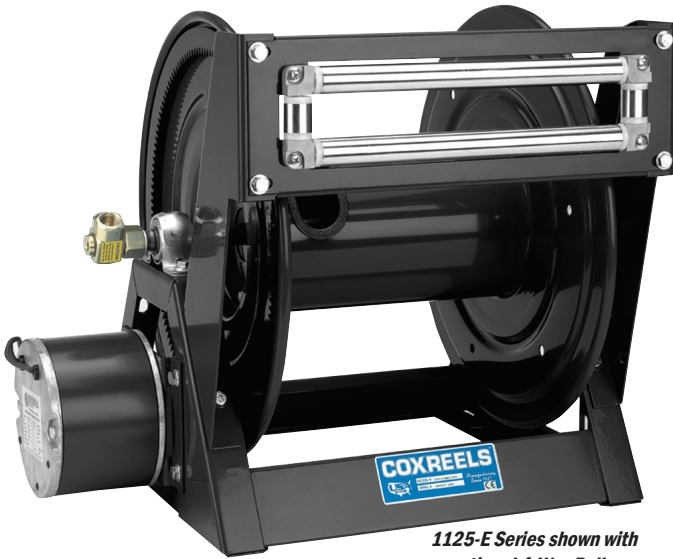
P.O. Box 3107, Visalia, CA 93278-3107 • E-Mail: [sales@sprayingdevices.com](mailto:sales@sprayingdevices.com)  
Toll Free: (800) 564-7548 • Phone: (559) SDI-5555 • Fax: (559) SDI-5591





**FIRST.. BEST.. ALWAYS!**

# 1125 Series



1125-E Series shown with optional 4-Way Roller



1125 Series

Model	Hose Capacity		P.S.I.	Max Temp. (°F)	W x H x L	Weight
	3/8" I.D.	1/2" I.D.				
<b>1125 Series - Hand Crank</b>						
1125-4-100	140'	100'	3000	225	19 1/2 x 18 3/4 x 17 3/4"	36
1125-4-200	300'	200'	3000	225	25 1/2 x 18 3/4 x 17 3/4"	39
1125-4-325	450'	325'	3000	225	31 1/2 x 18 3/4 x 17 3/4"	48
1125-4-450	625'	450'	3000	225	37 1/2 x 18 3/4 x 17 3/4"	52
1125-4-500	700'	500'	3000	225	41 1/2 x 18 3/4 x 17 3/4"	58
<b>1125 Series - Motorized</b>						
1125-4-100-E	140'	100'	3000	225	18 x 19 1/4 x 17 3/4"	49
1125-4-200-E	300'	200'	3000	225	24 x 19 1/4 x 17 3/4"	52
1125-4-325-E	450'	325'	3000	225	30 x 19 1/4 x 17 3/4"	61
1125-4-450-E	625'	450'	3000	225	36 x 19 1/4 x 17 3/4"	65
1125-4-500-E	700'	500'	3000	225	40 x 19 1/4 x 17 3/4"	71

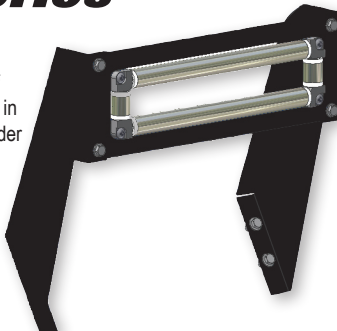
**1125 Series hand crank and motorized hose reels have the features demanded by industry professionals**

- Direct gear drive on motor driven models - No Chains
- One piece all welded steel "A" Frame construction
- Solid steel crank with smooth rounded handles
- Low profile riser & open drum slot for smooth, even hose wraps
- Swivel seals: NITRILE
- For 3/8" I.D. a reducer is required

## Accessories

### 15353

4-way enclosed pinch-proof stainless steel rollers are 1" in diameter supported by powder coated steel brackets. Specify drum width. Weight: 10 lbs.



### 15353-P

4-way enclosed pivoting pinch-proof roller bracket that extend the bracket by 5". Stainless steel rollers are 1" in diameter & supported by powder coated steel brackets. Specify drum width.

