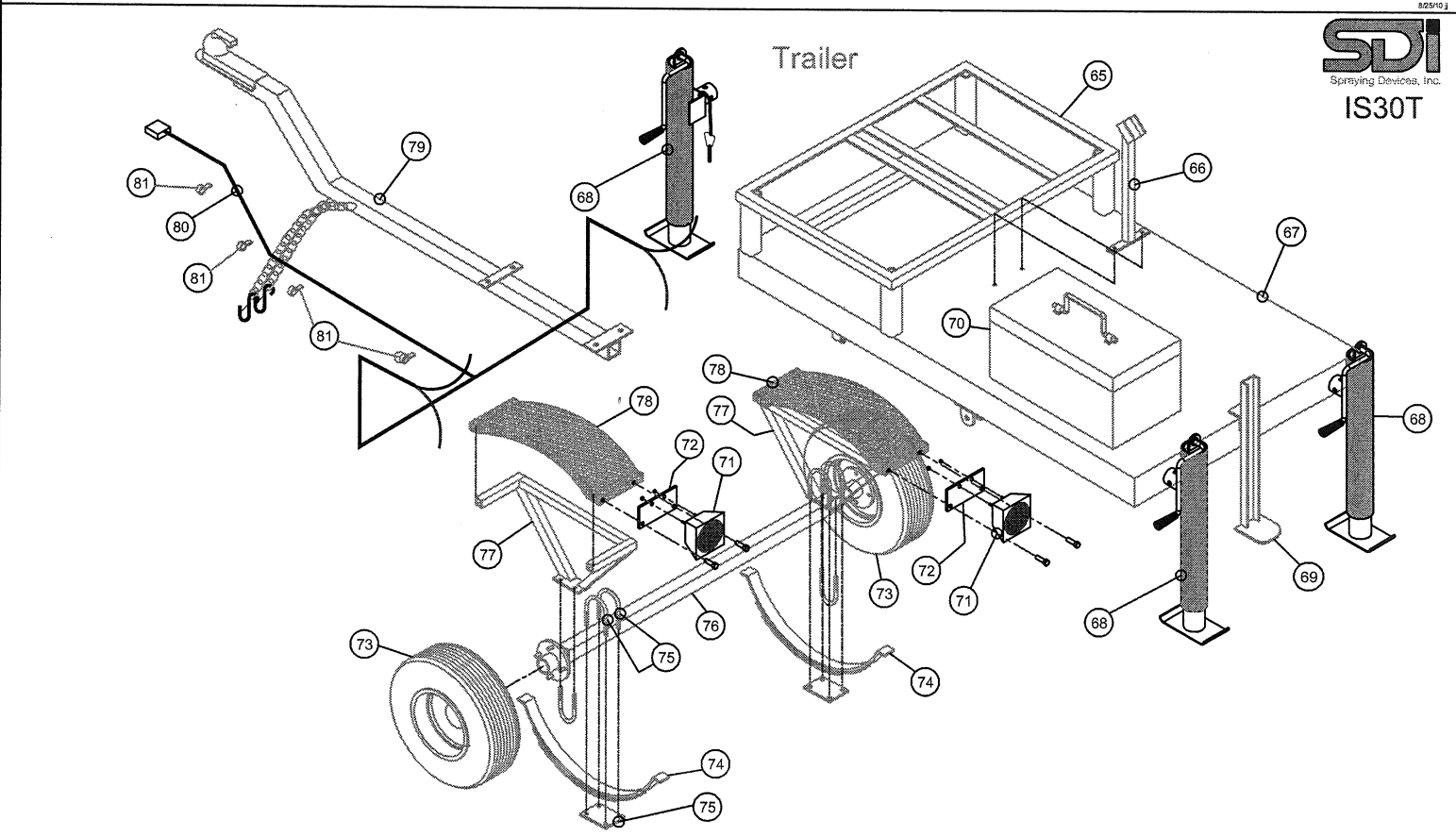


825103



SDI Inoculation Sprayer W/Trailer Model IS30T

Item Number	Part Number	Description	Qty
1	15-810	Tank, 10 Gal	1
2	15-830	Tank, 30 Gal	1
3	15-815	Wire Rack, 10 Gal	1
4	60-522	Float Valve Gray, Poly	1
5	60-523	Float Valve Stem	1
6	60-503	Float Ball 5"	1
7	16-117	Tank Fitting 1" DT 1-1/2" Hole, Poly	1
8	52-120	Elbow Adapter 1 MPT x 1" HB, Poly	1
9	51-601SS	Close Nipple 1" SST	1
10	60-204	Gate Valve 1"	1
11	52-122	Elbow Adapter 1 MPT x 1-1/4" HB, Poly	1
12	24-120	Hose Clamp #20	4
13	21-932	Suction Hose 1-1/4" ID 200 PSI, Per Ft.	Specify
14	60-682	Lever Handle 1/8" Ball Valve FPT x FPT	1
15	51-240	Close Nipple 1/8" SST	1
16	19-055	Centrifugal Pump W/Motor	1
17	50-610SS	Street Elbow 1" x 90°, SST	1
18	53-912	Close Nipple 1" PVC	2
19	53-826	Tee 1", Poly	2
20	53-801	Bushing 1 x 3/4", Poly	1
21	53-909	Close Nipple 3/4", PVC	2
22	52-280	Elbow 3/4" TxT, PVC	1
23	60-203	Gate Valve 3/4"	1
24	47-210	U-Bolt 3/8 NC x 3 x 2-3/4"	2
25	72-040	Electric Timer	1
26	52-119	Elbow Adapter 1 MPT x 3/4" HB, Poly	1
27	83-500C	Clear Braided Hose 1/2" ID 200 PSI, Per Ft.	Specify
28	53-095	Adapter 1/2 FPT x 1/2" HB, Poly	1
29	64-590	Injector	1
30	53-435	Adapter 1 MPT x 1" HB, Poly	3
31	24-116	Hose Clamp #16	3
32	21-938	Hose 1" ID, 200 PSI, Per Ft	Specify
33	60-355	Ball Check Valve 1", True Union	1
34	50-210	Street Elbow 1/4" x 90°, Brass	1
35	16-112L	Tank Flange 1/4" Brass	1
36	11-9502	Boom/Inoculation Sprayer	1
37	60-220	Ball Valve 1/2 PVC	1
38	50-460B	Bushing 1/2 x 1/4", Brass	1
39	79-018	Flowmeter Panel Mount	1
40	50-211	Elbow 1/4" x 90°, Brass	1
41	RM1214P	Reducing Nipple 1/2 MPT x 1/4" MPT, Poly	1
42	24-106	Hose Clamp #6	2
43	11-9501	Pole Assembly, 16 Ft.	1
44	64-437	Hose Shank Dbl 500 3/4 HB x Blank	2

SDI Inoculation Sprayer W/Trailer Model IS30T

Item Number	Part Number	Description	Qty
45	24-110	Hose Clamp #10	13
46	21-930	Hose 3/4" 200 PSI, Per Ft	Specify
47	64-435	Hose Shank 750 Dbl 3/4 HB x 3/4 HB	4
48	64-411	Single Nozzle Body WCheck Valve	6
49	53-134	Adapter 3/4 MPT x 3/4" HB, Poly	3
50	52-126	Elbow Adapter 1-1/4 MPT x 1-1/4" HB, Poly	1
51	11-9507	Telescoping Pole Lock 45" Long	1
52	11-9506	Telescoping Pole Lock 68" Long	1
53	48-302	Detent Pin 5/16 x 2-1/2"	2
54	24-124	Hose Clamp #24	1
55	11-9505	Telescoping Pole Lock 2.5" Long	1
56	24-132	Hose Clamp #32	1
57	41-512	Lock Nut 5/16", SST	6
58	31-502	Bolt 5/16 x 3/4", SST	6
59	64-415/02	End Cap Check Valve 02 PSI	6
60	64-403	50 Mesh Strainer	6
61	64-404	Washer	6
62	64-340	Quickjet Adapter 90° x 1/4 Thread	6
63	64-348	Tip, Solid Stream Nozzle, SST	6
64	53-825	Tee 3/4", Poly	1
65	10-9501	Tank Stand	1
66	11-9509	Transport Pole Stand, 25"	1
67	10-9500	Frame	1
68	80-206	Crank Jack, Side Crank 15"	3
69	11-9508	Telescoping Pole Stand 24"	1
70	15-008	Tool Box 21" Steel	1
71	700-233	Light Kit Submersible, Left/Right	1
72	11-9511	Tail Light Bracket	2
73	80-827	Wheel and Tire 4.80 x 12/50 Gal	2
74	700-231	Spring 9/16 Eye	2
75	700-232	U-Bolt Kit 4" Long	1
76	700-227	Axle/Hub Assembly	1
77	11-9512	Fender Bracket	2
78	700-229	Fiberglass Fenders	2
79	11-9510	Draw Bar	1
80	80-982	Harness	1
81	72-100	Loom Clip 3/4	4
82	52-114	Elbow Adapter 3/4 MPT x 1" HB, Poly	1
83	CV-12V	1/2 Check Valve	1
84	24-106SS	Hose Clamp #06	2
85	53-094	Adapter 1/2MPT x 1/2HB	2