

Parts Manual

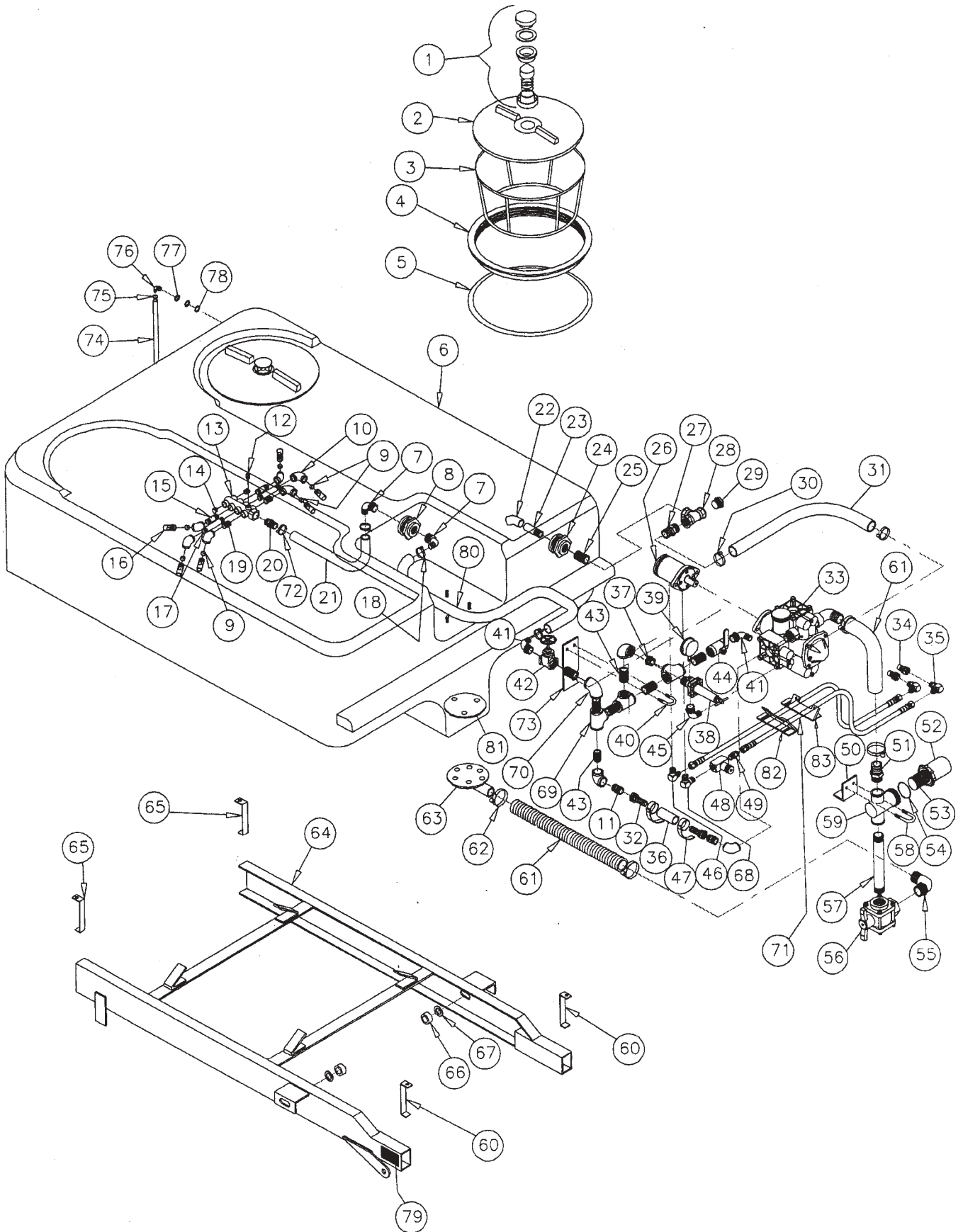
for TW160 & TW225



Manufacturer of Quality Power Sprayers

Parts Illustration

TW160 & TW225



Parts List

TW160 & TW225

<u>Item #</u>	<u>Part #</u>	<u>Description</u>	<u>Quantity</u>
1	15-056	Vent Assembly	1
2	15-053	16" Lid	1
3	16-203	16" Strainer Basket	1
4	15-054	16" Rim	1
5	15-055	C-Gasket	1
6	15-163TR	Tank, 160 gallon	1
6	15-228TR	Tank, 225 gallon	1
7	52-112	Elbow adapter 3/4" MPT x 3/4" HB	2
8	16-115	Tank fitting 3/4" DT nylon	1
9	64-585	Spray tip, DCER5	6
10	50-413SS	Elbow 1/2" SST 45°	6
11	55-106	Adapter 3/4 MPT x 3/4" MGHT	2
12	50-280SS	Plug 1/4" SST	1
13	16-087	Manifold	1
14	53-884	Plug 1/2" PVC	2
15	53-897	Pipe nipple 1/2" x 2" poly	2
16	16-050	Jet agitator	6
17	53-899	Pipe nipple 1/2" x 4" poly	2
18	24-112	Hose clamp #12	2
19	53-901	Close nipple 1/2" PVC	2
20	53-134	Adapter 3/4" MPT x 3/4" HB	1
21	21-930	Hose 3/4" ID - 200 PSI - per foot	Specify
22	52-276	Elbow 1" x 45° PVC	1
23	53-204	Nipple 1" x 4" PVC (cut to 2")	1
24	16-117	Tank Fitting 1" DT nylon	1
25	53-912	Close nipple 1" PVC	1
26	20-050	Hydraulic motor	1
27	53-435	Adapter 1" MPT x 1" HB	1
28	53-826	Tee 1" poly	1
29	53-886	Pipe plug 1" poly	1
30	24-116	Hose clamp #16	6
31	21-931	Hose 1" - 200 PSI - per foot	Specify
32	55-311	Hose Coupler 3/4 FGHT x 3" HB	2
33	78-0030	Pump, 30 GPM - 200 PSI	1
34	52-394	Hydraulic nipple	2
35	50-040	Elbow 1/2" MPT x 1/2" MJIC 90°	2
36	81-750	Hose 3/4" ID 800 PSI, Per Foot	Specify
37	50-580SS	Pipe plug 3/4" SST	1
38	64-805	Relief valve	1
39	27-300	Pressure gauge 0-300 PSI	1
40	47-103	U-bolt 1/4" x 1-1/4" x 2-1/4"	1
41	52-112	Elbow adapter 3/4" MPT x 3/4" HB	2
42	60-203	Gate valve 3/4"	1

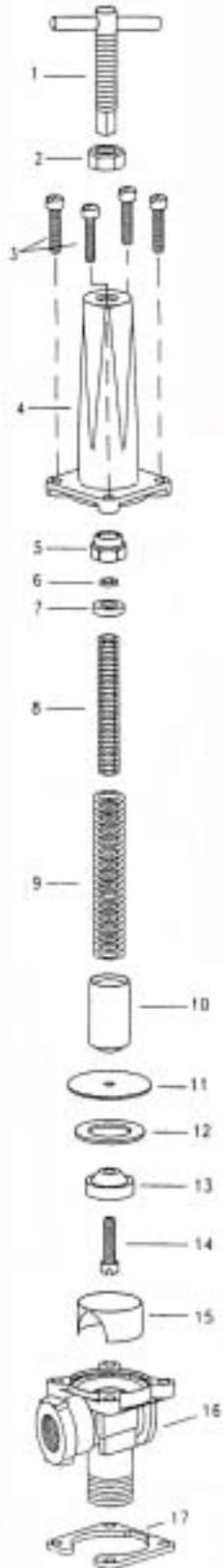
Parts List cont.

TW160 & TW225

<u>Item #</u>	<u>Part #</u>	<u>Description</u>	<u>Quantity</u>
43	51-501SS	Close nipple 3/4" SST	6
44	60-324	Ball valve 3/4"	1
45	52-114	Elbow adapter 3/4" MPT x 1" HB	2
46	50-030	Elbow 1/2" MPT x 1/2" MJIC	1
47	24-204	Hose Clamp #JS204	2
48	60-475	Flow control valve	1
49	50-034	Elbow 1/2" MJIC x 1/2" MPT 45°	1
50	11-462	Suction Basket	1
51	53-445	Adapter 1-1/2" MPT x 1-1/2" HB	1
52	57-117S	Solid bowl	1
53	57-152	20 mesh screen	1
54	57-126	O-ring	1
55	52-128	Elbow adapter 1-1/2" MPT x 1-1/2" HB	1
56	60-327-3PP	3-way Valve 1-1/2", bottom load	1
57	53-940	Pipe Nipple 1-1/2" x 10" Poly	1
58	47-207	U-bolt 3/8" x 2-1/2" x 3-1/4"	1
59	57-151	Body for strainer	1
60	11-394	Rear tank strap	2
61	21-933	Suction hose 1-1/2"ID Per Foot	Specify
62	24-124	Hose clamp #24	4
63	17-131	Suction flange 1-1/2"	1
64	10-228	Frame	1
65	11-556	Front tank strap	2
66	11-723	Spacer 1/2"	2
67	42-108SS	Flat washer 3/4" SST	2
68	50-034	Hydraulic elbow 1/2MPT x 1/2" MPT, 45	1
69	50-520SS	Tee 3/4" SST	3
70	50-511SS	Elbow 3/4" SST	2
71	NPN	1/2" x 50-032 fitting, hydraulic hose, specify length	2
72	24-116SS	Hose clamp #16 SST	2
73	11-440	Relief valve bracket - 9910-D115 pump	1
74	16-922	Clear tubing 3/8"ID - per inch	Specify
75	24-104	Hose clamp #4	2
76	16-100	Elbow adapter 3/8" MPT x 3/8" HB	2
77	55-050	Rubber washer 3/4"	4
78	55-052	Nylon washer 3/4"	2
79	70-357	SDI Model and Serial Number Decal	1
80	21-930	Hose 3/4"ID - 150 PSI per foot	Specify
81	11-101	Vortex Baffle	1
82	11-420L	Left Pump Mount	1
83	11-420R	Right Pump Mount	1

Parts Illustration & Parts List

Relief Valve: 64-805



<u>Item #</u>	<u>Part #</u>	<u>Description</u>	<u>Qty</u>
1	64-820	Adjusting stem subassembly - aluminum and SST	1
2	64-821	Lock nut - aluminum	1
3	64-822	Steel screw - zinc plated	4
	64-823	Bonnet - aluminum	1
5	64-824	Adjusting nut SST	1
6	64-825	Nylon washer - black	1
7	64-826	Spring retainer - aluminum	1
8	64-827	Inside spring	1
9	64-828	Outside spring - steel	1
10	64-829	Guide sleeve - aluminum	1
11	64-830	Diaphragm - fairprene	1
12	64-831	Stop ring - type 304 SST	1
13	64-832	Back up seat - black nylon	1
14	64-833	Screw SST	1
15	64-834	Chamber insert SST	1
16	64-835	Nylon body - black	1
17	64-836	Clamp plate - steel	1
	64-840	Repair kit - includes items: #6, 8, 9, 11, & 13	





Manufacturer of Quality Power Sprayers
P.O. Box 3107
Visalia, CA 93278-3107
(559)SDI-5555 / Fax (559)SDI-5591
www.sprayingdevices.com